

[www.alfer.com](http://www.alfer.com)

**alfer<sup>®</sup>**  
aluminium

Building-material catalogue  
Tile edgings



# Tile edgings

## Explanations

### Colour guide materials

AGK	Aluminium casting, tumbling polished	MES	Brass, solid or brass, shiny solid
AGP	Aluminium casting, powder-coated	CU	Copper, solid
ALC	<b>alferceram</b> <sup>®</sup> , ceramic powder-coated aluminium	ABS	Plastic, acrylonitrile butadiene styrene
ALCR	Aluminium chrome-plated	EPDM	Plastic, ethylene propylene diene rubber
ALG	Aluminium, vibratory finish	EVA	Plastic, ethylene vinyl acetate
ALK	Aluminium, tumble polished	GUM	Rubber
ALM	Brass-plated aluminium	PA	Plastic, polyamide
ALO	<b>alferoxal</b> <sup>®</sup> , multicolour aluminium, anodized	PC	Plastic, polycarbonate
ALP	Powder-coated aluminium	PE	Plastic, polyethylene
ALU	Uncoated aluminium	PET	Plastic, polyethylene terephthalate
ALX	Anodized aluminium	POM	Plastic, polyoxymethylene
EDL	Stainless steel	PP	Plastic, polypropylene
FER	Hard ferrite	PS	Plastic, polystyrene
GUS	Cast iron	PU	Plastic, polyurethane
SGC	Injection moulded, chrome-plated	PVC	Plastic, polyvinylchloride
STA	Steel or steel, galvanized	TPE	Plastic, thermoplastic elastomers
		EHO	Real wood

### Colour coding system application

	Angle profiles		Joint cover profiles
	Quarter circle profiles		Expansion joint profiles
	Square edging profiles		Balcony bracket
	Step edging profiles		

### Packaging

**loose:** The item is not packed.  
**shrink-wrapped:** The loose item is shrink-wrapped in transparent PE foil.  
**shrink-wrapped SS:** The shrink-wrapped item comes with a SS Euro-perforation allowing it to be suspended.  
**SS bag:** The item is packed in a transparent LDPE bag (Euro-perforation).  
**SS polybag:** The article comes in a PE tube.  
**SS box:** the item is packed in a transparent box with Euro-perforation.  
**SS cardboard box:** The item comes in a SS cardboard box.  
**on roll:** The item comes on a roll and can be cut to measure.  
**sealed:** The item is sealed with a transparent PE foil.  
**foil-wrapped, one-sided:** The item is covered on one side with a protective foil.  
**rolled in a box:** The item is packed rolled up in a box.  
**clap-pac:** The item comes in impact-resistant, transparent, PVC snapshut packaging (multi-perforation) and can be re-closed.  
**Min. OU:** The minimum order unit specifies both the minimum order quantity of an item and the order unit.  
 e. g.: Min. OU = 5 pcs.: means that orders must either be for a minimum of 5 pieces of this item, or multiples thereof.  
**PU:** Packaging unit.

### Explanations Brand Names

#### Important Note!

The following trademarks (®), (M. R.) are registered for the **alfer** aluminium Gesellschaft mbH, D-79793 Wutöschingen, (as of: 01.09.2013)

<b>alfer</b> <sup>®</sup>	(EU) (CH)
<b>alferoxal</b> <sup>®</sup>	(B) (D) (F) (I) (L) (NL) (A) (P) (CH)
<b>alferceram</b> <sup>®</sup>	(B) (D) (F) (I) (L) (NL) (A) (P) (CH)
<b>clipstech</b> <sup>®</sup>	(EU) (MEX)
<b>combitech</b> <sup>®</sup>	(EU) (CH) (MEX)
<b>cabelino</b> <sup>®</sup>	(EU) (CH)
<b>logika</b> <sup>®</sup>	(EU)
<b>ferroplatan</b> <sup>®</sup>	(EU)
<b>coaxis</b> <sup>®</sup>	(EU) (USA) (MEX)
<b>x-star</b> <sup>®</sup>	(EU) (USA)
<b>easyrack</b> <sup>®</sup>	(EU)

The use of these rights is permitted only upon expressed authorization by **alfer** aluminium Gesellschaft mbH, D-79793 Wutöschingen.

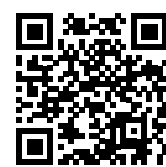


### **In the heart of Europe**

Nestled between the Upper Rhine and the Southern Black Forest is the Wutachtal Valley. Close to both Switzerland and France, this has been home to many world leading aluminium specialists for decades. Today, it is Europe's largest connected economic area for the production and processing of aluminium. It is therefore unsurprising that the region is also known as the 'Aluminium Valley'. This is also the place where the **alfer** success story began in 1973 in Wutöschingen, Baden-Württemberg. Since then, **alfer** has used this site to develop a whole range of aluminium profiles, primarily for DIY enthusiasts and tradespeople, which set even international standards.



## Tile edgings



# Tile edgings

## Range overview

### The edge protection classic

#### **alfer<sup>®</sup>-fix universal hole pattern**

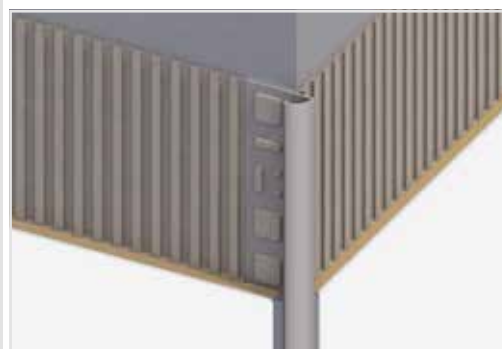
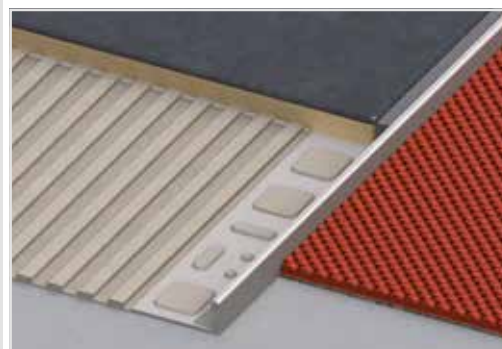
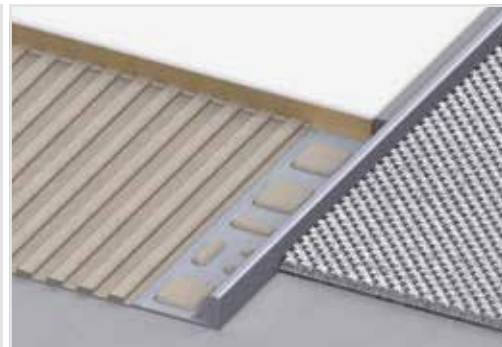
The angle profiles, which are available in a variety of material options, all feature the **alfer<sup>®</sup>-fix universal hole pattern**. Combining various hole shapes makes it possible to use the profiles universally. The largest possible perforation enables optimal penetration of the glue or mortar. This results in a perfect contact surface between tile and substrate that guarantees maximum hold. The different perforations are exceptionally well suited for prefastening the profile to the wall or floor. Our **alfer<sup>®</sup>-fix universal hole pattern** – simply clever!

#### **Angle profiles**

Angle profiles are the classic among edge protection profiles for tile floor coverings. The decorative angle profiles from **alfer<sup>®</sup>** provide effective protection from damage to tile edges while improving the overall appearance. The process of installing tiles is also made easier by using angle profiles. They enable accurate alignment of the tile floor covering and guarantee exact edges and clean connections to other floor coverings, plaster or wallpaper.

#### **Effective protection, decorative look: Quarter circle profiles**

Ceramic tiles are not only extremely popular in wet zones. Tile floor coverings also impress in other living areas and appeal to their audience with one-of-a-kind properties. They are safe from a hygienic point of view, resistant to dirt, easy to clean and certainly also take home the winning ticket when it comes to aesthetics. **alfer<sup>®</sup>** offers attractive quarter circle profiles to ensure an overall impressive look as well as protection of the exposed tile edges of external wall corners.

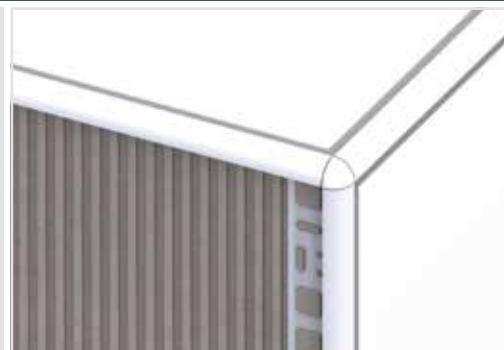


## Tile edgings

### Range overview

#### Accessories for clean corners

Using quarter circle external and internal angles allows users to install tile floor coverings in a clean and visually pleasing manner down to every nook and cranny. The quarter circle external and internal angles made from aluminium, plastic or stainless steel are available for two or three quarter circle profiles that meet at right angles. Practical advantage: It is not necessary to mitre the profiles.



#### Clean squared: Square edgings

Our durable square profiles feature an **alfer**<sup>®</sup>-fix universal hole pattern. They put the perfect finish on external wall corners and protect tile edges in the most beautiful way. Our tip: **alfer**<sup>®</sup> square tiles are a real eye-catcher when installed as a border. The robust profiles can even be installed on the floor thanks to their closed square design.



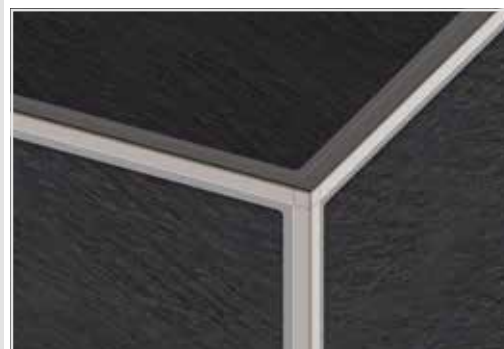
#### Accessories for clean corners

Our square tile corners made from anodized aluminum or stainless steel make clean installation down to the smallest detail possible. The square tile corners guarantee a perfect look when it comes to either two or three square profiles meeting at right angles and leave the viewer with a professional impression.



#### Practical installation tools: Tile accessories

Clean tile floor coverings do not happen by chance. There are a number of useful tools that help you with your installation work. Every step of the way and tile by tile, they ensure that you reach your professional and perfect installation goal. You definitely need spacer wedges and cross or T-shaped tile spacers. Go and get started!



# Tile edgings

## Range overview

### One step further

#### Step edging profiles and tile edging system for steps

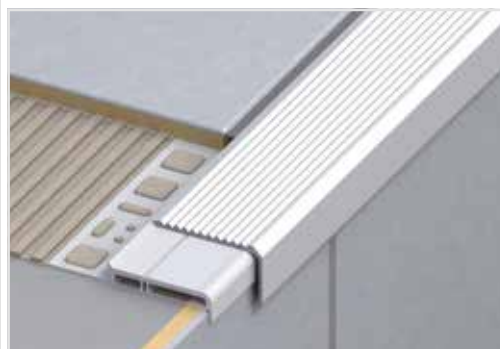
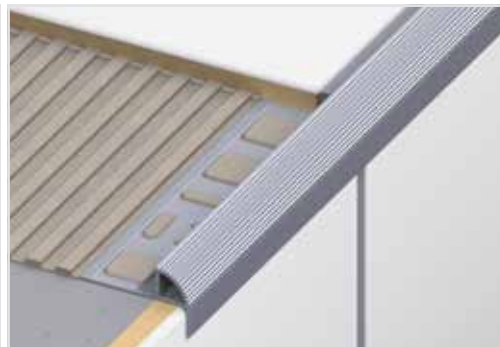
Due to the constant up and down, stairs are exposed to more extreme loads than any other floor covering area. Particularly step edges require special protection against mechanical influences. Aluminum, stainless steel, plastic or real wood design: **alfer**<sup>®</sup> has the perfect solution for any taste and any requirement.

Discover our step edging profiles and tile edging systems for steps and make your stairs safer and more beautiful in the blink of an eye!

#### For lasting protection: Joint cover profiles, expansion joint profiles and wet sealing profiles

Tile floor coverings can take a hit and they are there for the long run as a permanent fixture. Proper installation is the key to achieving this. There are a number of points to keep in mind, if you want to enjoy your new tile floor covering for years to come, such as expansion forces, for example. These can cause significant damage and can lead to damaged joints or even broken tiles. If these effects impede the surface quality, water can penetrate the floor and cause additional damage.

It does not have to come to that. **alfer**<sup>®</sup> joint cover and expansion joint profiles protect your tile floor coverings reliably and for the long term. **alfer**<sup>®</sup>'s easy-to-install wet sealing profiles are a clever, attractive and reliable solution for the problematic corners in wet zones. Protect your tile floor covering. It is worth it!





# Tile edgings

## Range overview

### For clean transitions

#### clipstech<sup>®</sup> system profiles

The edges of floor coverings can fray or crack over time in places where different floor coverings meet. The consequences: Dirt penetrates these areas, the visual appearance suffers and a risk of injury may sometimes even ensue.

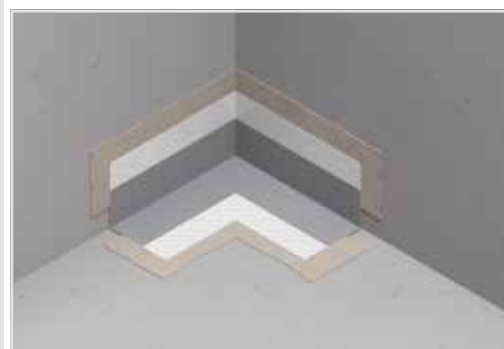
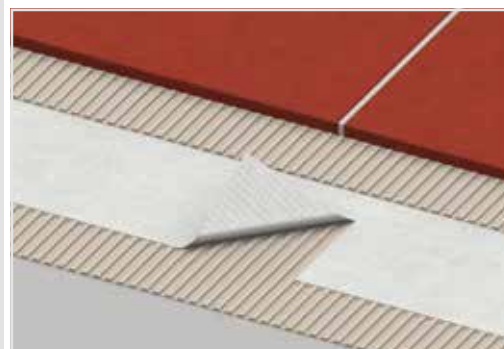
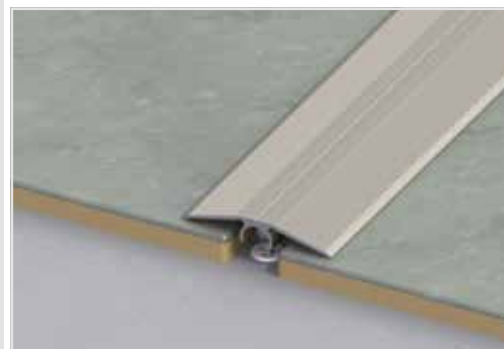
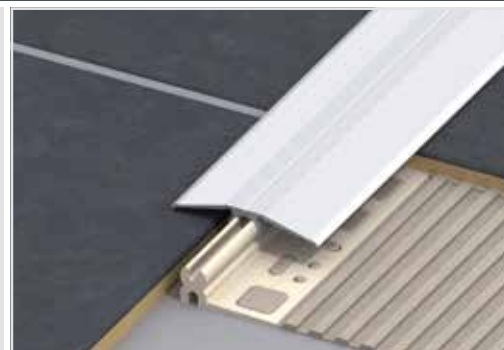
**clipstech<sup>®</sup>** cover strips and the corresponding plastic support profiles with **alfer<sup>®</sup>**-fix universal hole pattern in five different profile heights are a safe bet. They protect your floor covering against negative effects for the long term.

Look forward to perfect connections and transitions that you can count on reliably and that add the finishing touches to a high-quality appearance.

#### Better sealed than sorry: Mats and accessories

Moisture can penetrate into the substrate through joints, loose and cracked tiles, leading to efflorescence and moisture damage to the building fabric. Sealing mats and high-quality sealing accessories from **alfer<sup>®</sup>** come to the rescue and protect your property from unnecessary damage.

Weather effects, such as frost or heat, can cause cracks in the substrate and spalling, particularly when it comes to balconies and terraces. But tile floor coverings can also be damaged when the substrate creeps or recedes or when the screed develops cracks. Isolating the covering from the substrate can be a successful solution.



# Tile edgings

## Range overview

### Interior finishing and conversion made easy

#### Dry construction profiles

Wood is good – metal is better! When the application involves attic floor renovations or installing partition walls, metal framing offers clear benefits over wooden frame construction. They are lightweight, cost-effective and feature, in combination with suitable insulating materials, exemplary soundproofing and fire safety characteristics. In addition, metal framing – unlike wooden structures – does not absorb moisture. The frames always stay in top form, do not warp and thus do not emit any unwanted noise.

Our easy-to-install dry construction profiles for metal framing and drywall are guaranteed to amaze.


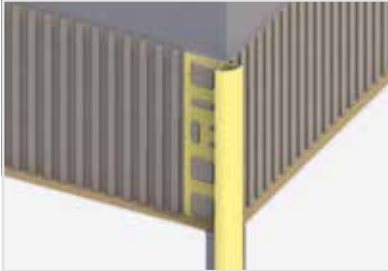



#### The perfect finishing touch: Plastering profiles

Neatly plastered walls are the “calling card” of a home. This applies to interior and exterior plaster alike. They not only give your home a friendly and well-maintained appearance, but also provide an important protective function. Plastering profiles from **alfer**® can provide an effective means of preventing spalling of plaster, ensure neatly worked outlines and contribute to overall easier plastering work. Enjoy visibly more accurate results – and many admiring glances.



# Tile edgings


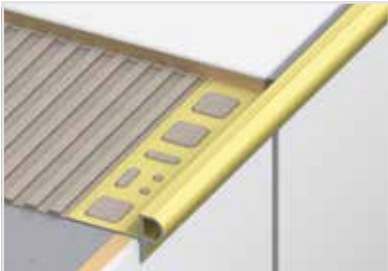



## Range overview

Angle profiles		16–20
	<ul style="list-style-type: none"> <li>· Angle profile</li> <li>· Angle profile, pliable</li> </ul>	ALU
		ALX
		ALP
		<b>MES</b>
		EDL
		PVC
		Quarter circle profile
	<ul style="list-style-type: none"> <li>· Quarter circle profile</li> </ul>	ALU
		ALX
		ALP
		EDL
		PVC
		Accessories for quarter circle profiles
	<ul style="list-style-type: none"> <li>· Quarter circle external corner</li> <li>· Quarter circle internal corner</li> </ul>	ALX
		ALP
		EDL
		ABS
		Square edgings
	<ul style="list-style-type: none"> <li>· Square edging</li> </ul>	ALX
		EDL
		Accessories for square edgings
	<ul style="list-style-type: none"> <li>· Square tile corner</li> </ul>	ALX
		EDL

Tile edgings | 197042 | 01.2017 | 171708

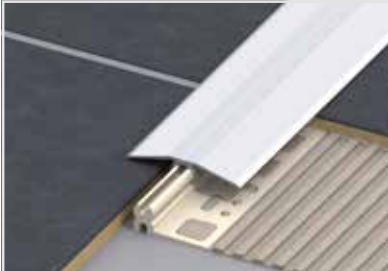
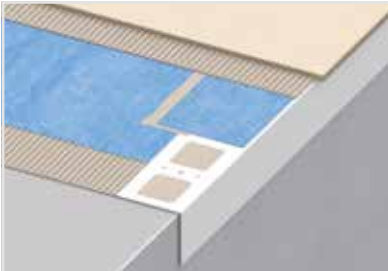


## Tile edgings

### Range overview

Accessories for tiles		37–38
	<ul style="list-style-type: none"> <li>· Tile spacer</li> <li>· Tile T</li> <li>· Tile wedge</li> </ul>	PVC
Step edging profiles		39–41
	<ul style="list-style-type: none"> <li>· Step edging profile "Florentine"</li> <li>· Step edging profile "Real wood", type 1</li> <li>· Step edging profile "Real wood", type 2</li> <li>· Step edging profile "Simple"</li> </ul>	ALU ALX <b>EHO</b>
Tile edgings system for steps		42–44
	<ul style="list-style-type: none"> <li>· Complete standard set</li> <li>· Complete system set</li> <li>· Standard profile for steps</li> </ul>	ALU ALX ALP <b>PVC</b>
Joint cover profiles and expansion joint profiles		45–48
	<ul style="list-style-type: none"> <li>· Accessory set for edge joint cover profiles</li> <li>· Edge joint cover profile</li> <li>· Expansion joint profile</li> <li>· Expansion joint profile for thick beds</li> <li>· Joint cover profile</li> </ul>	ALU ALX ALP <b>MES</b> PVC ABS
Wet sealing profiles		48–49
	<ul style="list-style-type: none"> <li>· Adhesive tape for wet sealing profiles</li> <li>· Self-adhesive sealing rail set</li> <li>· Wall connection profile with <b>alfer</b>-fix</li> <li>· Wet sealing profile</li> </ul>	PVC

# Tile edgings

## Range overview

clipstech® system profiles   Floor covering height ranges		50–53
	<ul style="list-style-type: none"> <li>· clipstech® cover strip</li> <li>· clipstech® support profile</li> <li>· Countersunk screw with plug</li> <li>· Plug system</li> </ul>	ALX
		PVC
		STA
Mats and accessories		54–57
	<ul style="list-style-type: none"> <li>· Balcony bracket</li> <li>· Drainage mat</li> <li>· External angle</li> <li>· Internal angle</li> <li>· Isolation and impact sound insulating mat</li> <li>· Isolation and sealing mat</li> <li>· Perforated sealing strip</li> <li>· Professional sealing tape</li> <li>· Sealing film</li> <li>· Sealing strip, one side self-adhesive</li> <li>· Wall sleeve</li> </ul>	ALP
		PE
		PP
		EPDM
Dry construction profiles		58–59
	<ul style="list-style-type: none"> <li>· Corner bead</li> <li>· Dry construction profile</li> <li>· Maxi wall C-profile</li> <li>· U-profile for wall</li> <li>· Wall covering corner bar</li> </ul>	ALU
		PVC
		STA
Plastering profiles		60
	<ul style="list-style-type: none"> <li>· Corner bead</li> <li>· Depth gauge beads</li> </ul>	STA

Tile edgings | 197042 | 01.2017 | 171708

# Tile edgings

## Range overview

Explanations	page 2
alfer <sup>®</sup> makes you mobile	IND-1
alfer <sup>®</sup> ranges	IND-2–IND-3
Index   Product names A–Z	IND-4
Index   Item number summary	IND-4–IND-9
Terms and Conditions of Supply and Payment	IND-10
Available in a choice of colours	IND-11

## Tile edgings

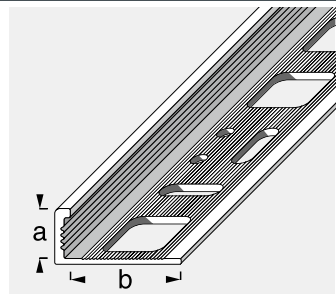
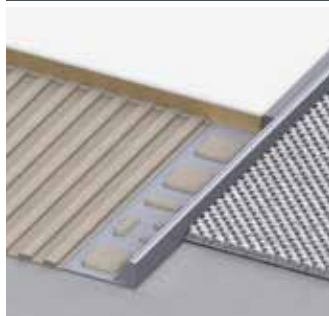


Tile edgings | 97042 | 01 2017 | 71708

# Tile edgings

## Angle profiles

### Angle profile



ALU



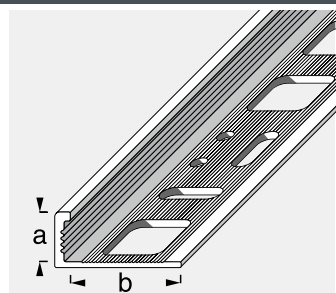
Min. OU: 5 pcs.

· alfer<sup>®</sup>-fix universal punching

#### Uncoated aluminium

Colour	Dim. a	Dim. b	Packaging	length: 1.00 m	length: 2.50 m
				EAN/Item no.	EAN/Item no.
A uncoated	3.0mm	21.0mm	loose	4001116 00609 8	4001116 70207 5
A uncoated	4.5mm	21.0mm	loose	4001116 00608 1	4001116 70206 8
A uncoated	6.0mm	21.0mm	loose	4001116 00600 5	4001116 70201 3
A uncoated	8.0mm	21.0mm	loose	4001116 00601 2	4001116 70202 0
A uncoated	10.0mm	21.0mm	loose	4001116 00602 9	4001116 70203 7
A uncoated	12.5mm	21.0mm	loose	4001116 00603 6	4001116 70204 4
A uncoated	15.0mm	21.0mm	loose	4001116 00604 3	4001116 70205 1

### Angle profile



ALX



Min. OU: 5 pcs.

· alfer<sup>®</sup>-fix universal punching

#### Anodized aluminium

Colour	Dim. a	Dim. b	Packaging	length: 1.00 m	length: 2.50 m
				EAN/Item no.	EAN/Item no.
A silver	4.5mm	21.0mm	loose	4001116 01608 0	4001116 70213 6
A silver	6.0mm	21.0mm	loose	4001116 01600 4	4001116 70208 2
A silver	8.0mm	21.0mm	loose	4001116 01601 1	4001116 70209 9
A silver	10.0mm	21.0mm	loose	4001116 01602 8	4001116 70210 5
A silver	12.5mm	21.0mm	loose	4001116 01603 5	4001116 70211 2
A silver	15.0mm	21.0mm	loose	4001116 01604 2	4001116 70212 9
B brass	4.5mm	21.0mm	loose	4001116 02608 9	4001116 70220 4
B brass	6.0mm	21.0mm	loose	4001116 02600 3	4001116 70215 0
B brass	8.0mm	21.0mm	loose	4001116 02601 0	4001116 70216 7
B brass	10.0mm	21.0mm	loose	4001116 02602 7	4001116 70217 4
B brass	12.5mm	21.0mm	loose	4001116 02603 4	4001116 70218 1
B brass	15.0mm	21.0mm	loose	4001116 02604 1	4001116 70219 8
C bronze	6.0mm	21.0mm	loose	4001116 03600 2	4001116 70222 8
C bronze	8.0mm	21.0mm	loose	4001116 03601 9	4001116 70223 5
C bronze	10.0mm	21.0mm	loose	4001116 03602 6	4001116 70224 2
C bronze	12.5mm	21.0mm	loose	4001116 03603 3	4001116 70225 9
C bronze	15.0mm	21.0mm	loose	4001116 03604 0	4001116 70226 6
D titanium	4.5mm	21.0mm	loose	4001116 01618 9	4001116 70270 9
D titanium	6.0mm	21.0mm	loose	4001116 01610 3	4001116 70271 6
D titanium	8.0mm	21.0mm	loose	4001116 01611 0	4001116 70272 3
D titanium	10.0mm	21.0mm	loose	4001116 01612 7	4001116 70273 0

Tile edgings | 97042 | 01 2017 | 71708



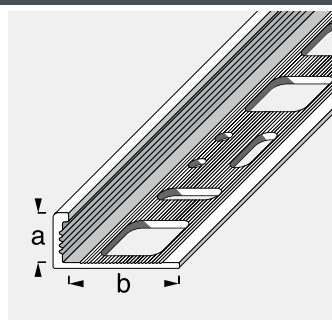
# Tile edgings

## Angle profiles

Continued from the previous page

Anodized aluminium				length: 1.00 m	length: 2.50 m
Colour	Dim. a	Dim. b	Packaging	EAN / Item no.	EAN / Item no.
D titanium	12.5mm	21.0mm	loose	4001116016134	4001116702747
D titanium	15.0mm	21.0mm	loose	4001116016141	4001116702754

### Angle profile



ALP

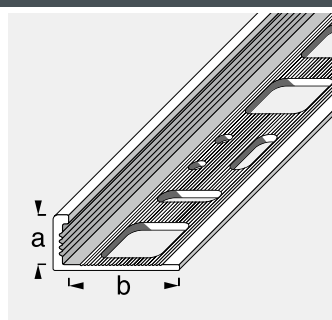


Min. OU: 5 pcs.

· alfer<sup>®</sup>-fix universal punching

Powder-coated aluminium				length: 1.00 m	length: 2.50 m
Colour	Dim. a	Dim. b	Packaging	EAN / Item no.	EAN / Item no.
A brilliant-white	6.0mm	21.0mm	loose	4001116700606	4001116702600
A brilliant-white	8.0mm	21.0mm	loose	4001116700613	4001116702617
A brilliant-white	10.0mm	21.0mm	loose	4001116700620	4001116702624
A brilliant-white	12.5mm	21.0mm	loose	4001116700637	4001116702631
A brilliant-white	15.0mm	21.0mm	loose	4001116700644	4001116702648
B bahama beige	6.0mm	21.0mm	loose	4001116036309	4001116702365
B bahama beige	8.0mm	21.0mm	loose	4001116036316	4001116702372
B bahama beige	10.0mm	21.0mm	loose	4001116036323	4001116702389
B bahama beige	12.5mm	21.0mm	loose	4001116036330	4001116702396
B bahama beige	15.0mm	21.0mm	loose	4001116036347	4001116702402
C manhattan grey	6.0mm	21.0mm	loose	4001116036408	4001116702433
C manhattan grey	8.0mm	21.0mm	loose	4001116036415	4001116702440
C manhattan grey	10.0mm	21.0mm	loose	4001116036422	4001116702457
C manhattan grey	12.5mm	21.0mm	loose	4001116036439	4001116702464
C manhattan grey	15.0mm	21.0mm	loose	4001116036446	4001116702471

### Angle profile



MES



Min. OU: 5 pcs.

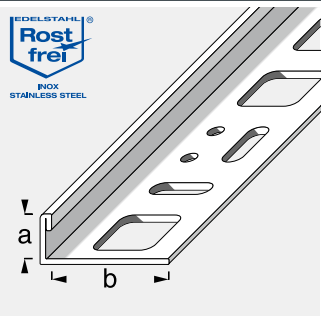
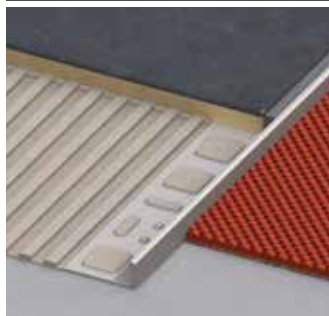
· alfer<sup>®</sup>-fix universal punching

Solid brass				length: 1.00 m	length: 2.50 m
Colour	Dim. a	Dim. b	Packaging	EAN / Item no.	EAN / Item no.
A brass	6.0mm	21.0mm	loose	4001116206108	4001116702921
A brass	8.0mm	21.0mm	loose	4001116206115	4001116702938
A brass	10.0mm	21.0mm	loose	4001116206122	4001116702945
A brass	12.5mm	21.0mm	loose	4001116206139	4001116702952
A brass	15.0mm	21.0mm	loose	4001116206146	4001116702969

# Tile edgings

## Angle profiles

### Angle profile



· alfer<sup>®</sup>-fix universal punching

EDL

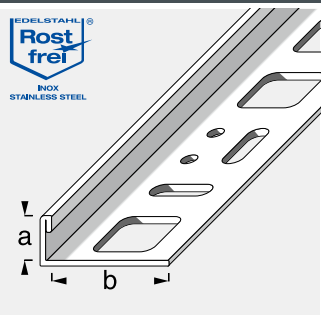


Min. OU: 5 pcs.

#### Stainless steel V2A

Colour	Dim. a	Dim. b	Packaging	length: 1.00 m	length: 2.50 m
				EAN / Item no.	EAN / Item no.
A stainless steel	6.0mm	21.0mm	loose	4001116 700828	4001116 702822
A stainless steel	8.0mm	21.0mm	loose	4001116 700835	4001116 702839
A stainless steel	10.0mm	21.0mm	loose	4001116 700842	4001116 702846
A stainless steel	12.5mm	21.0mm	loose	4001116 700859	4001116 702853
A stainless steel	15.0mm	21.0mm	loose	4001116 700866	4001116 702860

### Angle profile



· alfer<sup>®</sup>-fix universal punching

EDL



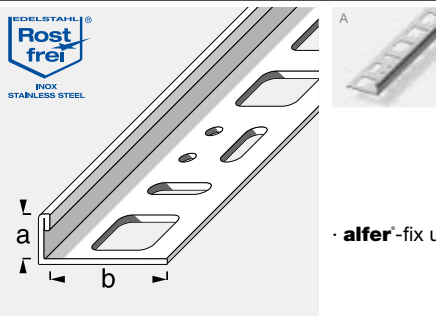
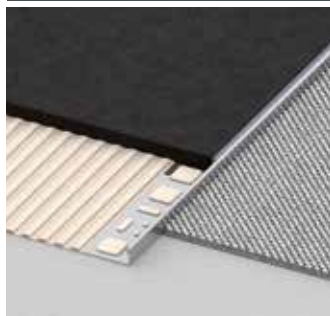
Min. OU: 5 pcs.

#### Stainless steel V2A, brushed

Colour	Dim. a	Dim. b	Packaging	length: 1.00 m	length: 2.50 m
				EAN / Item no.	EAN / Item no.
A stainless steel	6.0mm	21.0mm	loose	4001116 700927	4001116 703027
A stainless steel	8.0mm	21.0mm	loose	4001116 700934	4001116 703034
A stainless steel	10.0mm	21.0mm	loose	4001116 700941	4001116 703041
A stainless steel	12.5mm	21.0mm	loose	4001116 700958	4001116 703058
A stainless steel	15.0mm	21.0mm	loose	4001116 700965	4001116 703065

## Tile edgings Angle profiles

### Angle profile



· alfer<sup>®</sup>-fix universal punching

EDL

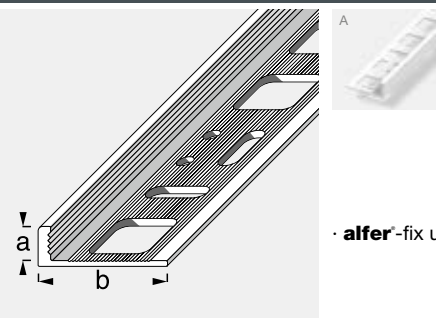
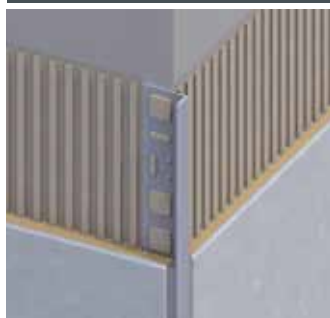


Min. OU: 5 pcs.

#### Stainless steel V2A, polished

Colour	Dim. a	Dim. b	Packaging	length: 1.00 m EAN / Item no.	length: 2.50 m EAN / Item no.
A stainless steel	6.0 mm	21.0 mm	loose	4001116 701023	4001116 703126
A stainless steel	8.0 mm	21.0 mm	loose	4001116 701030	4001116 703133
A stainless steel	10.0 mm	21.0 mm	loose	4001116 701047	4001116 703140
A stainless steel	12.5 mm	21.0 mm	loose	4001116 701054	4001116 703157
A stainless steel	15.0 mm	21.0 mm	loose	4001116 701061	4001116 703164

### Angle profile



· alfer<sup>®</sup>-fix universal punching

PVC



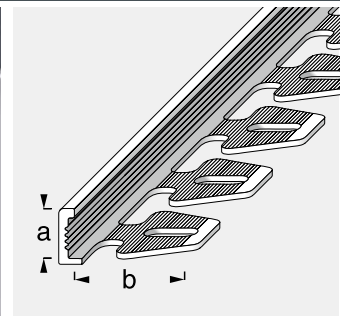
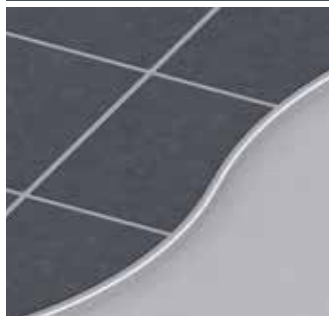
Min. OU: 5 pcs.

#### Plastic (hard PVC)

Colour	Dim. a	Dim. b	Packaging	length: 1.00 m EAN / Item no.	length: 2.50 m EAN / Item no.
A white	6.0 mm	21.0 mm	loose		4001116 70601 1
A white	8.0 mm	21.0 mm	loose		4001116 70602 8
A white	10.0 mm	21.0 mm	loose		4001116 70603 5
A white	12.5 mm	21.0 mm	loose		4001116 70604 2
B brilliant-white	6.0 mm	21.0 mm	loose	4001116 70485 7	4001116 70685 1
B brilliant-white	8.0 mm	21.0 mm	loose	4001116 70486 4	4001116 70686 8
B brilliant-white	10.0 mm	21.0 mm	loose	4001116 70487 1	4001116 70687 5
B brilliant-white	12.5 mm	21.0 mm	loose	4001116 70488 8	4001116 70688 2
C bahama beige	6.0 mm	21.0 mm	loose	4001116 70415 4	4001116 70615 8
C bahama beige	8.0 mm	21.0 mm	loose	4001116 70416 1	4001116 70616 5
C bahama beige	10.0 mm	21.0 mm	loose	4001116 70417 8	4001116 70617 2
C bahama beige	12.5 mm	21.0 mm	loose	4001116 70418 5	4001116 70618 9
D manhattan grey	6.0 mm	21.0 mm	loose	4001116 70464 2	4001116 70664 6
D manhattan grey	8.0 mm	21.0 mm	loose	4001116 70465 9	4001116 70665 3
D manhattan grey	10.0 mm	21.0 mm	loose	4001116 70466 6	4001116 70666 0
D manhattan grey	12.5 mm	21.0 mm	loose	4001116 70467 3	4001116 70667 7
E jasmin-pergamon	6.0 mm	21.0 mm	loose	4001116 70492 5	4001116 70692 9
E jasmin-pergamon	8.0 mm	21.0 mm	loose	4001116 70493 2	4001116 70693 6
E jasmin-pergamon	10.0 mm	21.0 mm	loose	4001116 70494 9	4001116 70694 3
E jasmin-pergamon	12.5 mm	21.0 mm	loose	4001116 70495 6	4001116 70695 0

## Tile edgings Angle profiles

### Angle profile, pliable



ALX



Min. OU: 5 pcs.

· Ideal for curved sections

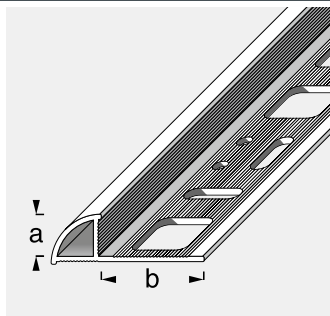
Anodized aluminium					length: 2.50 m
Colour	Dim. a	Dim. b	Packaging	EAN / Item no.	
A silver	8.0 mm	21.0 mm	shrink-wrapped SS, with wood insert	4001116 782022	
A silver	10.0 mm	21.0 mm	shrink-wrapped SS, with wood insert	4001116 782039	
A silver	12.5 mm	21.0 mm	shrink-wrapped SS, with wood insert	4001116 782046	
B brass	8.0 mm	21.0 mm	shrink-wrapped SS, with wood insert	4001116 782121	
B brass	10.0 mm	21.0 mm	shrink-wrapped SS, with wood insert	4001116 782138	



# Tile edgings

## Quarter circle profiles

### Quarter circle profile



· alfer<sup>®</sup>-fix universal punching

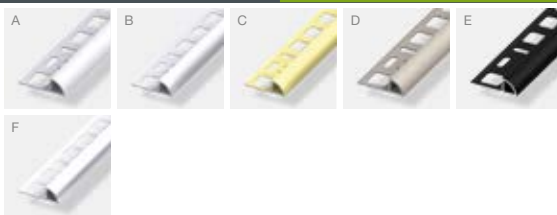
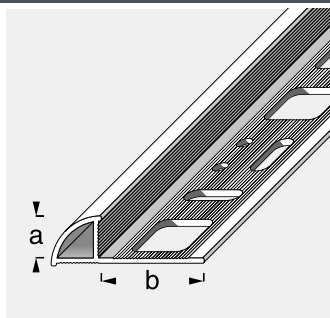
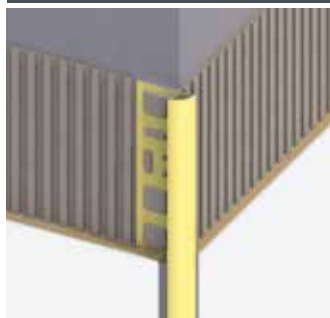
ALU



Min. OU: 5 pcs.

Uncoated aluminium				length: 1.00 m	length: 2.50 m
Colour	Dim. a	Dim. b	Packaging	EAN / Item no.	EAN / Item no.
A uncoated	6.0mm	19.5mm	loose	4001116 722028	4001116 722073
A uncoated	8.0mm	19.5mm	loose	4001116 722035	4001116 722080
A uncoated	10.0mm	19.5mm	loose	4001116 722042	4001116 722097
A uncoated	12.5mm	19.5mm	loose	4001116 722059	4001116 722103
A uncoated	15.0mm	19.5mm	loose	4001116 722066	4001116 722110

### Quarter circle profile



· alfer<sup>®</sup>-fix universal punching

ALX



Min. OU: 5 pcs.

Anodized aluminium				length: 1.00 m	length: 2.50 m
Colour	Dim. a	Dim. b	Packaging	EAN / Item no.	EAN / Item no.
A silver	6.0mm	19.5mm	loose	4001116 722127	4001116 722172
A silver	8.0mm	19.5mm	loose	4001116 722134	4001116 722189
A silver	10.0mm	19.5mm	loose	4001116 722141	4001116 722196
A silver	12.5mm	19.5mm	loose	4001116 722158	4001116 722202
A silver	15.0mm	19.5mm	loose	4001116 722165	4001116 722219
A silver	6.0mm	19.5mm	shrink-wrapped		4001116 723070
A silver	8.0mm	19.5mm	shrink-wrapped		4001116 723087
A silver	10.0mm	19.5mm	shrink-wrapped		4001116 723094
A silver	12.5mm	19.5mm	shrink-wrapped		4001116 723100
B polished silver	6.0mm	19.5mm	shrink-wrapped	4001116 722226	4001116 722271
B polished silver	8.0mm	19.5mm	shrink-wrapped	4001116 722233	4001116 722288
B polished silver	10.0mm	19.5mm	shrink-wrapped	4001116 722240	4001116 722295
B polished silver	12.5mm	19.5mm	shrink-wrapped	4001116 722257	4001116 722301
B polished silver	15.0mm	19.5mm	shrink-wrapped	4001116 722264	4001116 722318
C brass, glossy	6.0mm	19.5mm	shrink-wrapped	4001116 722424	4001116 722479
C brass, glossy	8.0mm	19.5mm	shrink-wrapped	4001116 722431	4001116 722486
C brass, glossy	10.0mm	19.5mm	shrink-wrapped	4001116 722448	4001116 722493
C brass, glossy	12.5mm	19.5mm	shrink-wrapped	4001116 722455	4001116 722509
C brass, glossy	15.0mm	19.5mm	shrink-wrapped	4001116 722462	4001116 722516
D titanium	6.0mm	19.5mm	loose	4001116 723223	4001116 723278
D titanium	8.0mm	19.5mm	loose	4001116 723230	4001116 723285
D titanium	10.0mm	19.5mm	loose	4001116 723247	4001116 723292
D titanium	12.5mm	19.5mm	loose	4001116 723254	4001116 723308

Tile edgings | 197042 | 01 2017 | 171708



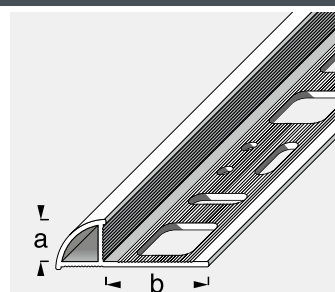
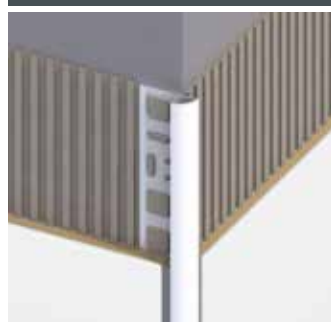
# Tile edgings

## Quarter circle profiles

Continued from the previous page

Anodized aluminium				length: 1.00 m	length: 2.50 m
Colour	Dim. a	Dim. b	Packaging	EAN / Item no.	EAN / Item no.
D titanium	15.0 mm	19.5 mm	loose	4001116 72326 1	4001116 72331 5
E brushed black	6.0 mm	19.5 mm	shrink-wrapped	4001116 72332 2	4001116 72337 7
E brushed black	8.0 mm	19.5 mm	shrink-wrapped	4001116 72333 9	4001116 72338 4
E brushed black	10.0 mm	19.5 mm	shrink-wrapped	4001116 72334 6	4001116 72339 1
E brushed black	12.5 mm	19.5 mm	shrink-wrapped	4001116 72335 3	4001116 72340 7
E brushed black	15.0 mm	19.5 mm	shrink-wrapped	4001116 72336 0	4001116 72341 4
F chrome look	6.0 mm	19.5 mm	shrink-wrapped	4001116 72312 4	4001116 72317 9
F chrome look	8.0 mm	19.5 mm	shrink-wrapped	4001116 72313 1	4001116 72318 6
F chrome look	10.0 mm	19.5 mm	shrink-wrapped	4001116 72314 8	4001116 72319 3
F chrome look	12.5 mm	19.5 mm	shrink-wrapped	4001116 72315 5	4001116 72320 9
F chrome look	15.0 mm	19.5 mm	shrink-wrapped	4001116 72316 2	4001116 72321 6

### Quarter circle profile


 · alfer<sup>®</sup>-fix universal punching

ALP



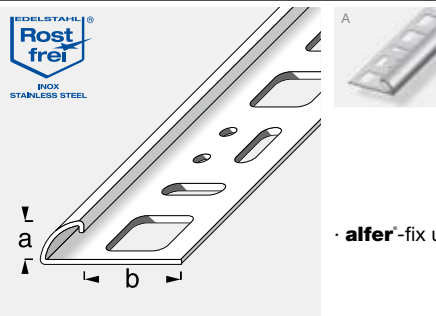
Min. OU: 5 pcs.

Powder-coated aluminium				length: 1.00 m	length: 2.50 m
Colour	Dim. a	Dim. b	Packaging	EAN / Item no.	EAN / Item no.
A brilliant-white	6.0 mm	19.5 mm	loose	4001116 72252 3	4001116 72257 8
A brilliant-white	8.0 mm	19.5 mm	loose	4001116 72253 0	4001116 72258 5
A brilliant-white	10.0 mm	19.5 mm	loose	4001116 72254 7	4001116 72259 2
A brilliant-white	12.5 mm	19.5 mm	loose	4001116 72255 4	4001116 72260 8
A brilliant-white	15.0 mm	19.5 mm	loose	4001116 72256 1	4001116 72261 5
B bahama beige	6.0 mm	19.5 mm	loose	4001116 72292 9	4001116 72297 4
B bahama beige	8.0 mm	19.5 mm	loose	4001116 72293 6	4001116 72298 1
B bahama beige	10.0 mm	19.5 mm	loose	4001116 72294 3	4001116 72299 8
B bahama beige	12.5 mm	19.5 mm	loose	4001116 72295 0	4001116 72300 1
B bahama beige	15.0 mm	19.5 mm	loose	4001116 72296 7	4001116 72301 8
C manhattan grey	6.0 mm	19.5 mm	loose	4001116 72262 2	4001116 72267 7
C manhattan grey	8.0 mm	19.5 mm	loose	4001116 72263 9	4001116 72268 4
C manhattan grey	10.0 mm	19.5 mm	loose	4001116 72264 6	4001116 72269 1
C manhattan grey	12.5 mm	19.5 mm	loose	4001116 72265 3	4001116 72270 7
C manhattan grey	15.0 mm	19.5 mm	loose	4001116 72266 0	4001116 72271 4
D jasmin-pergamon	6.0 mm	19.5 mm	loose	4001116 72282 0	4001116 72287 5
D jasmin-pergamon	8.0 mm	19.5 mm	loose	4001116 72283 7	4001116 72288 2
D jasmin-pergamon	10.0 mm	19.5 mm	loose	4001116 72284 4	4001116 72289 9
D jasmin-pergamon	12.5 mm	19.5 mm	loose	4001116 72285 1	4001116 72290 5
D jasmin-pergamon	15.0 mm	19.5 mm	loose	4001116 72286 8	4001116 72291 2

# Tile edgings

## Quarter circle profiles

### Quarter circle profile



· alfer®-fix universal punching

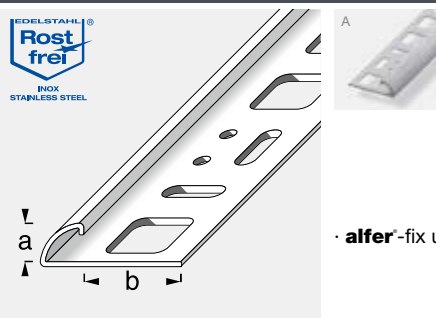
EDL



Min. OU: 5 pcs.

Stainless steel V2A				length: 1.00 m	length: 2.50 m
Colour	Dim. a	Dim. b	Packaging	EAN / Item no.	EAN / Item no.
A stainless steel	6.0 mm	20.0 mm	loose	4001116 708459	4001116 71013 1
A stainless steel	8.0 mm	20.0 mm	loose	4001116 708473	4001116 71015 5
A stainless steel	10.0 mm	20.0 mm	loose	4001116 708480	4001116 71016 2
A stainless steel	12.5 mm	20.0 mm	loose	4001116 715082	4001116 71548 8

### Quarter circle profile



· alfer®-fix universal punching

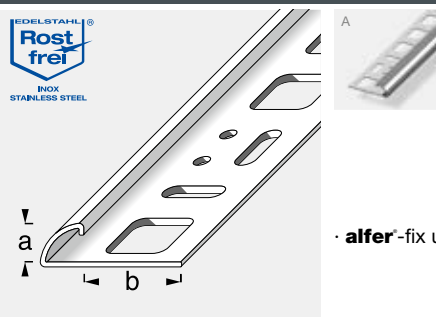
EDL



Min. OU: 5 pcs.

Stainless steel V2A, brushed				length: 1.00 m	length: 2.50 m
Colour	Dim. a	Dim. b	Packaging	EAN / Item no.	EAN / Item no.
A stainless steel	6.0 mm	20.0 mm	loose	4001116 701122	4001116 70322 5
A stainless steel	8.0 mm	20.0 mm	loose	4001116 701139	4001116 70323 2
A stainless steel	10.0 mm	20.0 mm	loose	4001116 701146	4001116 70324 9
A stainless steel	12.5 mm	20.0 mm	loose	4001116 701153	4001116 70325 6

### Quarter circle profile



· alfer®-fix universal punching

EDL

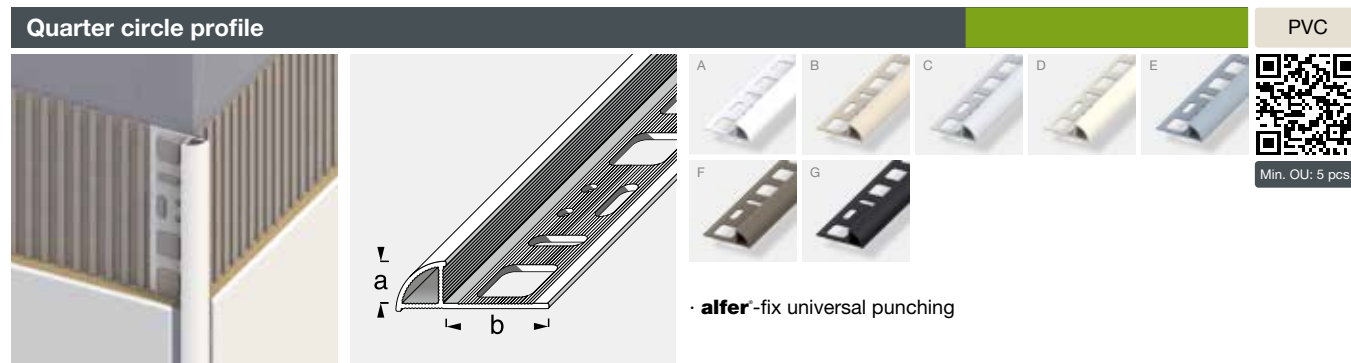


Min. OU: 5 pcs.

Stainless steel V2A, polished				length: 1.00 m	length: 2.50 m
Colour	Dim. a	Dim. b	Packaging	EAN / Item no.	EAN / Item no.
A stainless steel	6.0 mm	20.0 mm	loose	4001116 70122 1	4001116 70332 4
A stainless steel	8.0 mm	20.0 mm	loose	4001116 70123 8	4001116 70333 1
A stainless steel	10.0 mm	20.0 mm	loose	4001116 70124 5	4001116 70334 8
A stainless steel	12.5 mm	20.0 mm	loose	4001116 70125 2	4001116 70335 5

# Tile edgings

## Quarter circle profiles



Plastic (hard PVC)	Colour	Dim. a	Dim. b	Packaging	length: 1.00 m	length: 2.50 m
					EAN/Item no.	EAN/Item no.
A	brilliant-white	6.0mm	19.5mm	loose	4001116 720024	4001116 720079
A	brilliant-white	8.0mm	19.5mm	loose	4001116 720031	4001116 720086
A	brilliant-white	10.0mm	19.5mm	loose	4001116 720048	4001116 720093
A	brilliant-white	12.5mm	19.5mm	loose	4001116 720055	4001116 720109
B	bahama beige	6.0mm	19.5mm	loose	4001116 720420	4001116 720475
B	bahama beige	8.0mm	19.5mm	loose	4001116 720437	4001116 720482
B	bahama beige	10.0mm	19.5mm	loose	4001116 720444	4001116 720499
B	bahama beige	12.5mm	19.5mm	loose	4001116 720451	4001116 720505
C	manhattan grey	6.0mm	19.5mm	loose	4001116 720123	4001116 720178
C	manhattan grey	8.0mm	19.5mm	loose	4001116 720130	4001116 720185
C	manhattan grey	10.0mm	19.5mm	loose	4001116 720147	4001116 720192
C	manhattan grey	12.5mm	19.5mm	loose	4001116 720154	4001116 720208
D	jasmin-pergamon	6.0mm	19.5mm	loose	4001116 720321	4001116 720376
D	jasmin-pergamon	8.0mm	19.5mm	loose	4001116 720338	4001116 720383
D	jasmin-pergamon	10.0mm	19.5mm	loose	4001116 720345	4001116 720390
D	jasmin-pergamon	12.5mm	19.5mm	loose	4001116 720352	4001116 720406
E	dark grey	6.0mm	19.5mm	loose	4001116 720222	4001116 720277
E	dark grey	8.0mm	19.5mm	loose	4001116 720239	4001116 720284
E	dark grey	10.0mm	19.5mm	loose	4001116 720246	4001116 720291
E	dark grey	12.5mm	19.5mm	loose	4001116 720253	4001116 720307
F	taupe	6.0mm	19.5mm	loose	4001116 720925	4001116 720970
F	taupe	8.0mm	19.5mm	loose	4001116 720932	4001116 720987
F	taupe	10.0mm	19.5mm	loose	4001116 720949	4001116 720994
F	taupe	12.5mm	19.5mm	loose	4001116 720956	4001116 721007
G	black	6.0mm	19.5mm	loose	4001116 721021	4001116 721076
G	black	8.0mm	19.5mm	loose	4001116 721038	4001116 721083
G	black	10.0mm	19.5mm	loose	4001116 721045	4001116 721090
G	black	12.5mm	19.5mm	loose	4001116 721052	4001116 721106

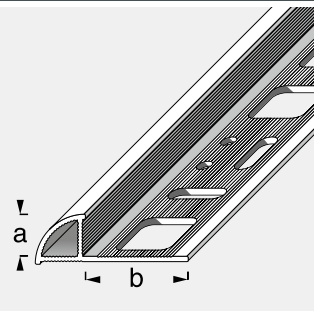
Tile edgings | 97042 | 01 2017 | 71708



# Tile edgings

## Quarter circle profiles

### Quarter circle profile



PVC



Min. OU: 5 pcs.


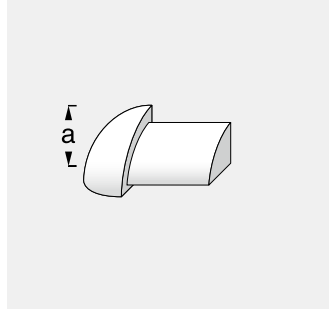
· alfer<sup>®</sup>-fix universal punching


Plastic (hard PVC), hot-embossed				length: 1.00 m	length: 2.50 m
Colour	Dim. a	Dim. b	Packaging	EAN / Item no.	EAN / Item no.
A polished white	6.0 mm	19.5 mm	loose	4001116 720628	4001116 720673
A polished white	8.0 mm	19.5 mm	loose	4001116 720635	4001116 720680
A polished white	10.0 mm	19.5 mm	loose	4001116 720642	4001116 720697
A polished white	12.5 mm	19.5 mm	loose	4001116 720659	4001116 720703
B polished jasmine-pergamon	6.0 mm	19.5 mm	loose	4001116 720826	4001116 720871
B polished jasmine-pergamon	8.0 mm	19.5 mm	loose	4001116 720833	4001116 720888
B polished jasmine-pergamon	10.0 mm	19.5 mm	loose	4001116 720840	4001116 720895
B polished jasmine-pergamon	12.5 mm	19.5 mm	loose	4001116 720857	4001116 720901
C polished manhattan grey	6.0 mm	19.5 mm	loose	4001116 720727	4001116 720772
C polished manhattan grey	8.0 mm	19.5 mm	loose	4001116 720734	4001116 720789
C polished manhattan grey	10.0 mm	19.5 mm	loose	4001116 720741	4001116 720796
C polished manhattan grey	12.5 mm	19.5 mm	loose	4001116 720758	4001116 720802
D marbled white	6.0 mm	19.5 mm	loose	4001116 720529	4001116 720574
D marbled white	8.0 mm	19.5 mm	loose	4001116 720536	4001116 720581
D marbled white	10.0 mm	19.5 mm	loose	4001116 720543	4001116 720598
D marbled white	12.5 mm	19.5 mm	loose	4001116 720550	4001116 720604


# Tile edgings


## Accessories for quarter circle profiles


**Quarter circle external corner**






A  


B  



C  


D  


E  


F  


ALX



Min. OU: 5 pcs.

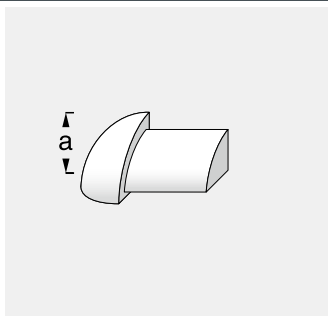
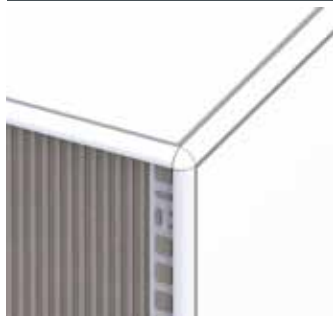
Anodized aluminium					
Colour	Tile size	Dim. a	Packaging	EAN/Item no.	
A silver	6.0mm	7.5mm	SS box	4001116 781506	
A silver	8.0mm	9.5mm	SS box	4001116 781513	
A silver	10.0mm	11.5mm	SS box	4001116 781520	
A silver	12.5mm	14.0mm	SS box	4001116 781537	
A silver	15.0mm	16.5mm	SS box	4001116 781544	
B polished silver	6.0mm	7.5mm	SS box	4001116 781568	
B polished silver	8.0mm	9.5mm	SS box	4001116 781575	
B polished silver	10.0mm	11.5mm	SS box	4001116 781582	
B polished silver	12.5mm	14.0mm	SS box	4001116 781599	
B polished silver	15.0mm	16.5mm	SS box	4001116 781551	
C brass, glossy	6.0mm	7.5mm	SS box	4001116 782206	
C brass, glossy	8.0mm	9.5mm	SS box	4001116 782213	
C brass, glossy	10.0mm	11.5mm	SS box	4001116 782220	
C brass, glossy	12.5mm	14.0mm	SS box	4001116 782237	
C brass, glossy	15.0mm	16.5mm	SS box	4001116 782244	
D titanium	6.0mm	7.5mm	SS box	4001116 781469	
D titanium	8.0mm	9.5mm	SS box	4001116 781476	
D titanium	10.0mm	11.5mm	SS box	4001116 781483	
D titanium	12.5mm	14.0mm	SS box	4001116 781490	
D titanium	15.0mm	16.5mm	SS box	4001116 781452	
E brushed black	6.0mm	7.5mm	SS box	4001116 782602	
E brushed black	8.0mm	9.5mm	SS box	4001116 782619	
E brushed black	10.0mm	11.5mm	SS box	4001116 782626	
E brushed black	12.5mm	14.0mm	SS box	4001116 782633	
E brushed black	15.0mm	16.5mm	SS box	4001116 782640	
F chrome look	6.0mm	7.5mm	SS box	4001116 781605	
F chrome look	8.0mm	9.5mm	SS box	4001116 781612	
F chrome look	10.0mm	11.5mm	SS box	4001116 781629	
F chrome look	12.5mm	14.0mm	SS box	4001116 781636	
F chrome look	15.0mm	16.5mm	SS box	4001116 781643	

# Tile edgings

## Accessories for quarter circle profiles

### Quarter circle external corner

ALP



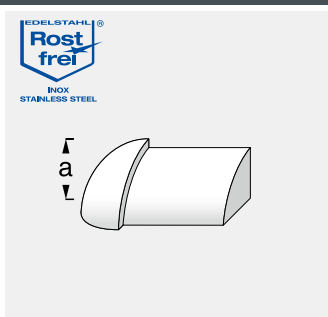
Min. OU: 5 pcs.

#### Powder-coated aluminium

Colour	Tile size	Dim. a	Packaging	EAN / Item no.
A brilliant-white	6.0 mm	7.5 mm	SS box	4001116781407
A brilliant-white	8.0 mm	9.5 mm	SS box	4001116781414
A brilliant-white	10.0 mm	11.5 mm	SS box	4001116781421
A brilliant-white	12.5 mm	14.0 mm	SS box	4001116781438
A brilliant-white	15.0 mm	16.5 mm	SS box	4001116781445

### Quarter circle external corner

EDL



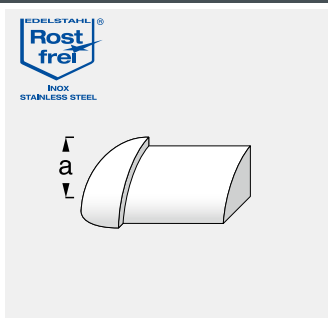
Min. OU: 5 pcs.

#### Stainless steel 1.4305

Colour	Tile size	Dim. a	Packaging	EAN / Item no.
A stainless steel	6.0 mm	7.5 mm	SS box	400111678225 1
A stainless steel	8.0 mm	9.5 mm	SS box	400111678226 8
A stainless steel	10.0 mm	11.5 mm	SS box	400111678227 5
A stainless steel	12.5 mm	14.0 mm	SS box	400111678228 2

### Quarter circle external corner

EDL



Min. OU: 5 pcs.



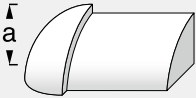


#### Brushed stainless steel

Colour	Tile size	Dim. a	Packaging	EAN / Item no.
A stainless steel	6.0 mm	7.5 mm	SS box	400111678405 7
A stainless steel	8.0 mm	9.5 mm	SS box	400111678406 4
A stainless steel	10.0 mm	11.5 mm	SS box	400111678407 1
A stainless steel	12.5 mm	14.0 mm	SS box	400111678408 8

# Tile edgings

## Accessories for quarter circle profiles

**Quarter circle external corner** EDL


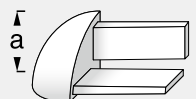








Min. OU: 5 pcs.

**Stainless steel, polished**

Colour	Tile size	Dim. a	Packaging	EAN / Item no.
A stainless steel	6.0mm	7.5mm	SS box	4001116 784156
A stainless steel	8.0mm	9.5mm	SS box	4001116 784163
A stainless steel	10.0mm	11.5mm	SS box	4001116 784170
A stainless steel	12.5mm	14.0mm	SS box	4001116 784187

**Quarter circle external corner** ABS

Min. OU: 5 pcs.

**Plastic (ABS)**

Colour	Tile size	Dim. a	PU	Packaging	EAN / Item no.
A silver	6.0mm	7.5mm	4 pieces	SS box	4001116 780608
A silver	8.0mm	9.5mm	4 pieces	SS box	4001116 780615
A silver	10.0mm	11.5mm	4 pieces	SS box	4001116 780622
A silver	12.5mm	14.0mm	4 pieces	SS box	4001116 780639
B brilliant-white	6.0mm	7.5mm	4 pieces	SS box	4001116 780707
B brilliant-white	8.0mm	9.5mm	4 pieces	SS box	4001116 780714
B brilliant-white	10.0mm	11.5mm	4 pieces	SS box	4001116 780721
B brilliant-white	12.5mm	14.0mm	4 pieces	SS box	4001116 780738
C bahama beige	6.0mm	7.5mm	4 pieces	SS box	4001116 780905
C bahama beige	8.0mm	9.5mm	4 pieces	SS box	4001116 780912
C bahama beige	10.0mm	11.5mm	4 pieces	SS box	4001116 780929
C bahama beige	12.5mm	14.0mm	4 pieces	SS box	4001116 780936
D manhattan grey	6.0mm	7.5mm	4 pieces	SS box	4001116 780752
D manhattan grey	8.0mm	9.5mm	4 pieces	SS box	4001116 780769
D manhattan grey	10.0mm	11.5mm	4 pieces	SS box	4001116 780776
D manhattan grey	12.5mm	14.0mm	4 pieces	SS box	4001116 780783
E jasmin-pergamon	6.0mm	7.5mm	4 pieces	SS box	4001116 780851
E jasmin-pergamon	8.0mm	9.5mm	4 pieces	SS box	4001116 780868
E jasmin-pergamon	10.0mm	11.5mm	4 pieces	SS box	4001116 780875
E jasmin-pergamon	12.5mm	14.0mm	4 pieces	SS box	4001116 780882
F dark grey	6.0mm	7.5mm	4 pieces	SS box	4001116 780806
F dark grey	8.0mm	9.5mm	4 pieces	SS box	4001116 780813
F dark grey	10.0mm	11.5mm	4 pieces	SS box	4001116 780820
F dark grey	12.5mm	14.0mm	4 pieces	SS box	4001116 780783

Tile edgings | 97042 | 01 2017 | 71708

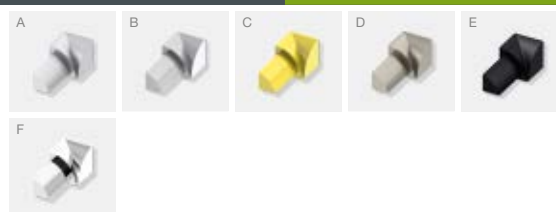
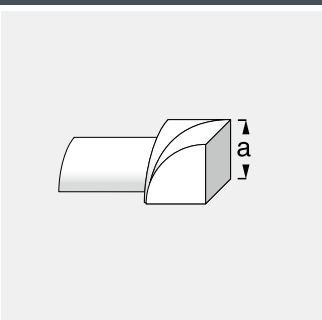
# Tile edgings

## Accessories for quarter circle profiles

Continued from the previous page

Plastic (ABS)						
Colour	Tile size	Dim. a	PU	Packaging	EAN / Item no.	
G taupe	6.0mm	7.5mm	4 pieces	SS box	4001116782305	
G taupe	8.0mm	9.5mm	4 pieces	SS box	4001116782312	
G taupe	10.0mm	11.5mm	4 pieces	SS box	4001116782329	
G taupe	12.5mm	14.0mm	4 pieces	SS box	4001116782336	
H black	6.0mm	7.5mm	4 pieces	SS box	4001116782350	
H black	8.0mm	9.5mm	4 pieces	SS box	4001116782367	
H black	10.0mm	11.5mm	4 pieces	SS box	4001116782374	
H black	12.5mm	14.0mm	4 pieces	SS box	4001116782381	

### Quarter circle internal corner



Anodized aluminium						
Colour	Tile size	Dim. a	Packaging	EAN / Item no.		
A silver	6.0mm	7.5mm	SS box	4001116783500		
A silver	8.0mm	9.5mm	SS box	4001116783517		
A silver	10.0mm	11.5mm	SS box	4001116783524		
A silver	12.5mm	14.0mm	SS box	4001116783531		
A silver	15.0mm	16.5mm	SS box	4001116783548		
B polished silver	6.0mm	7.5mm	SS box	4001116783562		
B polished silver	8.0mm	9.5mm	SS box	4001116783579		
B polished silver	10.0mm	11.5mm	SS box	4001116783586		
B polished silver	12.5mm	14.0mm	SS box	4001116783593		
B polished silver	15.0mm	16.5mm	SS box	4001116783555		
C brass, glossy	6.0mm	7.5mm	SS box	4001116783708		
C brass, glossy	8.0mm	9.5mm	SS box	4001116783715		
C brass, glossy	10.0mm	11.5mm	SS box	4001116783722		
C brass, glossy	12.5mm	14.0mm	SS box	4001116783739		
C brass, glossy	15.0mm	16.5mm	SS box	4001116783746		
D titanium	6.0mm	7.5mm	SS box	4001116783463		
D titanium	8.0mm	9.5mm	SS box	4001116783470		
D titanium	10.0mm	11.5mm	SS box	4001116783487		
D titanium	12.5mm	14.0mm	SS box	4001116783494		
D titanium	15.0mm	16.5mm	SS box	4001116783456		
E brushed black	6.0mm	7.5mm	SS box	4001116782701		
E brushed black	8.0mm	9.5mm	SS box	4001116782718		
E brushed black	10.0mm	11.5mm	SS box	4001116782725		
E brushed black	12.5mm	14.0mm	SS box	4001116782732		
E brushed black	15.0mm	16.5mm	SS box	4001116782749		
F chrome look	6.0mm	7.5mm	SS box	4001116783609		
F chrome look	8.0mm	9.5mm	SS box	4001116783616		
F chrome look	10.0mm	11.5mm	SS box	4001116783623		
F chrome look	12.5mm	14.0mm	SS box	4001116783630		
F chrome look	15.0mm	16.5mm	SS box	4001116783647		

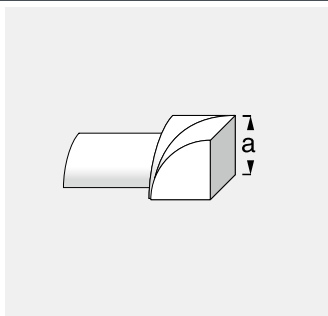
Tile edgings | 97042 | 01 2017 | 71708

# Tile edgings

## Accessories for quarter circle profiles

### Quarter circle internal corner

ALP



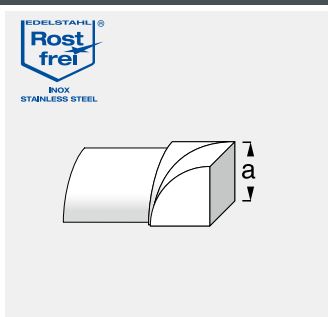
Min. OU: 5 pcs.

#### Powder-coated aluminium

Colour	Tile size	Dim. a	Packaging	EAN / Item no.
A brilliant-white	6.0mm	7.5mm	SS box	4001116 78340 1
A brilliant-white	8.0mm	9.5mm	SS box	4001116 78341 8
A brilliant-white	10.0mm	11.5mm	SS box	4001116 78342 5
A brilliant-white	12.5mm	14.0mm	SS box	4001116 78343 2
A brilliant-white	15.0mm	16.5mm	SS box	4001116 78344 9

### Quarter circle internal corner

EDL



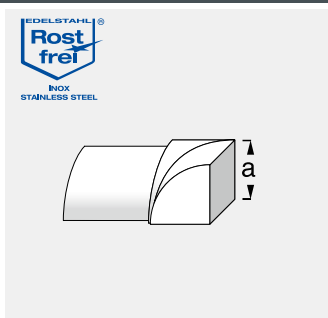
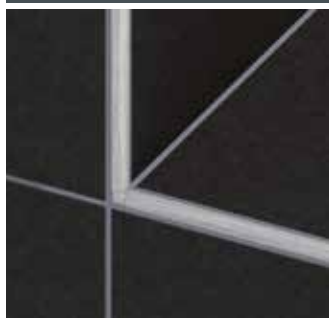
Min. OU: 5 pcs.

#### Stainless steel 4305

Colour	Tile size	Dim. a	Packaging	EAN / Item no.
A stainless steel	6.0mm	5.8mm	SS box	4001116 78375 3
A stainless steel	8.0mm	7.5mm	SS box	4001116 78376 0
A stainless steel	10.0mm	9.5mm	SS box	4001116 78377 7
A stainless steel	12.5mm	11.5mm	SS box	4001116 78378 4

### Quarter circle internal corner

EDL



Min. OU: 5 pcs.

#### Stainless steel 4305, brushed

Colour	Tile size	Dim. a	Packaging	EAN / Item no.
A stainless steel	6.0mm	5.8mm	SS box	4001116 78400 2
A stainless steel	8.0mm	7.5mm	SS box	4001116 78401 9
A stainless steel	10.0mm	9.5mm	SS box	4001116 78402 6
A stainless steel	12.5mm	11.5mm	SS box	4001116 78403 3

# Tile edgings

## Accessories for quarter circle profiles

### Quarter circle internal corner



EDL

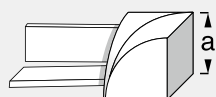


Min. OU: 5 pcs.

#### Stainless steel 4305, polished

Colour	Tile size	Dim. a	Packaging	EAN / Item no.
A stainless steel	6.0mm	5.8mm	SS box	400111678410 1
A stainless steel	8.0mm	7.5mm	SS box	400111678411 8
A stainless steel	10.0mm	9.5mm	SS box	400111678412 5
A stainless steel	12.5mm	11.5mm	SS box	400111678413 2

### Quarter circle internal corner



ABS



Min. OU: 5 pcs.

#### Plastic (ABS)

Colour	Tile size	Dim. a	PU	Packaging	EAN / Item no.
A silver	6.0mm	7.5mm	4 pieces	SS box	400111678100 1
A silver	8.0mm	9.5mm	4 pieces	SS box	400111678101 8
A silver	10.0mm	11.5mm	4 pieces	SS box	400111678102 5
A silver	12.5mm	14.0mm	4 pieces	SS box	400111678103 2
B brilliant-white	6.0mm	7.5mm	4 pieces	SS box	400111678110 0
B brilliant-white	8.0mm	9.5mm	4 pieces	SS box	400111678111 7
B brilliant-white	10.0mm	11.5mm	4 pieces	SS box	400111678112 4
B brilliant-white	12.5mm	14.0mm	4 pieces	SS box	400111678113 1
C bahama beige	6.0mm	7.5mm	4 pieces	SS box	400111678130 8
C bahama beige	8.0mm	9.5mm	4 pieces	SS box	400111678131 5
C bahama beige	10.0mm	11.5mm	4 pieces	SS box	400111678132 2
C bahama beige	12.5mm	14.0mm	4 pieces	SS box	400111678133 9
D manhattan grey	6.0mm	7.5mm	4 pieces	SS box	400111678115 5
D manhattan grey	8.0mm	9.5mm	4 pieces	SS box	400111678116 2
D manhattan grey	10.0mm	11.5mm	4 pieces	SS box	400111678117 9
D manhattan grey	12.5mm	14.0mm	4 pieces	SS box	400111678118 6
E jasmin-pergamon	6.0mm	7.5mm	4 pieces	SS box	400111678125 4
E jasmin-pergamon	8.0mm	9.5mm	4 pieces	SS box	400111678126 1
E jasmin-pergamon	10.0mm	11.5mm	4 pieces	SS box	400111678127 8
E jasmin-pergamon	12.5mm	14.0mm	4 pieces	SS box	400111678128 5
F dark grey	6.0mm	7.5mm	4 pieces	SS box	400111678120 9
F dark grey	8.0mm	9.5mm	4 pieces	SS box	400111678121 6
F dark grey	10.0mm	11.5mm	4 pieces	SS box	400111678122 3
F dark grey	12.5mm	14.0mm	4 pieces	SS box	400111678123 0

Tile edgings | 97042 | 01 2017 | 71708



## Tile edgings

### Accessories for quarter circle profiles

Continued from the previous page

Plastic (ABS)					
Colour	Tile size	Dim. a	PU	Packaging	EAN / Item no.
G taupe	6.0mm	7.5 mm	4 pieces	SS box	4001116 782404
G taupe	8.0mm	9.5 mm	4 pieces	SS box	4001116 782411
G taupe	10.0mm	11.5 mm	4 pieces	SS box	4001116 782428
G taupe	12.5 mm	14.0 mm	4 pieces	SS box	4001116 782435
H black	6.0mm	7.5 mm	4 pieces	SS box	4001116 782459
H black	8.0mm	9.5 mm	4 pieces	SS box	4001116 782466
H black	10.0mm	11.5 mm	4 pieces	SS box	4001116 782473
H black	12.5 mm	14.0 mm	4 pieces	SS box	4001116 782480

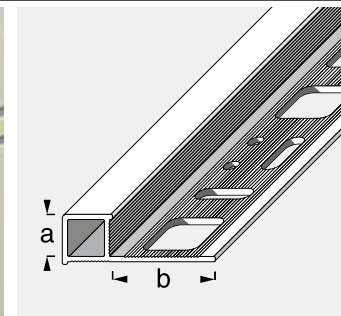




# Tile edgings

## Square edgings

### Square edging



- **alfer**-fix universal punching
- Modern appearance


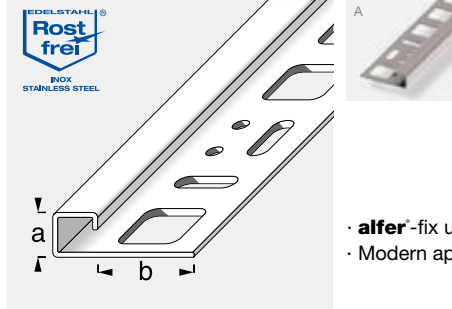
Anodized aluminium				length: 1.00 m	length: 2.50 m
Colour	Dim. a	Dim. b	Packaging	EAN / Item no.	EAN / Item no.
A silver	6.0 mm	19.5 mm	loose	4001116 730023	4001116 730078
A silver	8.0 mm	19.5 mm	loose	4001116 730030	4001116 730085
A silver	10.0 mm	19.5 mm	loose	4001116 730047	4001116 730092
A silver	12.5 mm	19.5 mm	loose	4001116 730054	4001116 730108
B champagne	6.0 mm	19.5 mm	loose	4001116 730221	4001116 730276
B champagne	8.0 mm	19.5 mm	loose	4001116 730238	4001116 730283
B champagne	10.0 mm	19.5 mm	loose	4001116 730245	4001116 730290
B champagne	12.5 mm	19.5 mm	loose	4001116 730252	4001116 730306
C titanium	6.0 mm	19.5 mm	loose	4001116 730320	4001116 730375
C titanium	8.0 mm	19.5 mm	loose	4001116 730337	4001116 730382
C titanium	10.0 mm	19.5 mm	loose	4001116 730344	4001116 730399
C titanium	12.5 mm	19.5 mm	loose	4001116 730351	4001116 730405
D brushed black	6.0 mm	19.5 mm	shrink-wrapped	4001116 730528	4001116 730573
D brushed black	8.0 mm	19.5 mm	shrink-wrapped	4001116 730535	4001116 730580
D brushed black	10.0 mm	19.5 mm	shrink-wrapped	4001116 730542	4001116 730597
D brushed black	12.5 mm	19.5 mm	shrink-wrapped	4001116 730559	4001116 730603
E chrome look	6.0 mm	19.5 mm	shrink-wrapped	4001116 730429	4001116 730474
E chrome look	8.0 mm	19.5 mm	shrink-wrapped	4001116 730436	4001116 730481
E chrome look	10.0 mm	19.5 mm	shrink-wrapped	4001116 730443	4001116 730498
E chrome look	12.5 mm	19.5 mm	shrink-wrapped	4001116 730450	4001116 730504

Tile edgings | 97042 | 01 2017 | 71708


# Tile edgings

## Square edgings

**Square edging** EDL


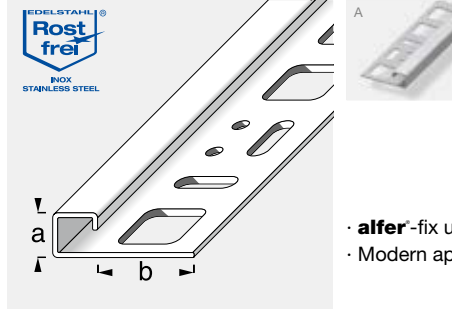



· **alfer**-fix universal punching  
· Modern appearance


  
 Min. OU: 5 pcs.

Stainless steel				length: 1.00 m	length: 2.50 m
Colour	Dim. a	Dim. b	Packaging	EAN / Item no.	EAN / Item no.
A stainless steel	6.0mm	20.0mm	loose	4001116 731020	4001116 731075
A stainless steel	8.0mm	20.0mm	loose	4001116 731037	4001116 731082
A stainless steel	10.0mm	20.0mm	loose	4001116 731044	4001116 731099
A stainless steel	12.5mm	20.0mm	loose	4001116 731051	4001116 731105

**Square edging** EDL


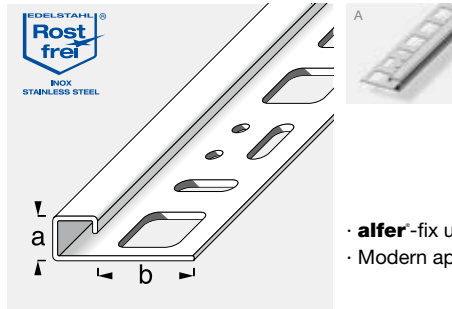



· **alfer**-fix universal punching  
· Modern appearance


  
 Min. OU: 5 pcs.

Brushed stainless steel				length: 1.00 m	length: 2.50 m
Colour	Dim. a	Dim. b	Packaging	EAN / Item no.	EAN / Item no.
A stainless steel	6.0mm	20.0mm	loose	4001116 701320	4001116 703423
A stainless steel	8.0mm	20.0mm	loose	4001116 701337	4001116 703430
A stainless steel	10.0mm	20.0mm	loose	4001116 701344	4001116 703447
A stainless steel	12.5mm	20.0mm	loose	4001116 701351	4001116 703454

**Square edging** EDL

· **alfer**-fix universal punching  
· Modern appearance

  
 Min. OU: 5 pcs.

Stainless steel, polished				length: 1.00 m	length: 2.50 m
Colour	Dim. a	Dim. b	Packaging	EAN / Item no.	EAN / Item no.
A stainless steel	6.0mm	20.0mm	loose	4001116 701429	4001116 703522
A stainless steel	8.0mm	20.0mm	loose	4001116 701436	4001116 703539
A stainless steel	10.0mm	20.0mm	loose	4001116 701443	4001116 703546
A stainless steel	12.5mm	20.0mm	loose	4001116 701450	4001116 703553

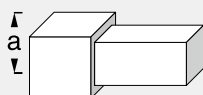
Tile edgings | 97042 | 01 2017 | 71708

# Tile edgings

## Accessories for square edgings

### Square tile corner

ALX



Min. OU: 5 pcs.

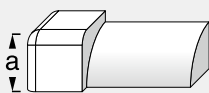
· Modern appearance

#### Anodized aluminium

Colour	Tile size	Dim. a	Packaging	EAN / Item no.
A silver	6.0mm	7.5mm	SS box	4001116781704
A silver	8.0mm	9.5mm	SS box	4001116781711
A silver	10.0mm	11.5mm	SS box	4001116781728
A silver	12.5mm	14.0mm	SS box	4001116781735
B champagne	6.0mm	7.5mm	SS box	4001116781803
B champagne	8.0mm	9.5mm	SS box	4001116781810
B champagne	10.0mm	11.5mm	SS box	4001116781827
B champagne	12.5mm	14.0mm	SS box	4001116781834
C titanium	6.0mm	7.5mm	SS box	4001116781858
C titanium	8.0mm	9.5mm	SS box	4001116781865
C titanium	10.0mm	11.5mm	SS box	4001116781872
C titanium	12.5mm	14.0mm	SS box	4001116781889
D brushed black	6.0mm	7.5mm	SS box	4001116782503
D brushed black	8.0mm	9.5mm	SS box	4001116782510
D brushed black	10.0mm	11.5mm	SS box	4001116782527
D brushed black	12.5mm	14.0mm	SS box	4001116782534
E chrome look	6.0mm	7.5mm	SS box	4001116781902
E chrome look	8.0mm	9.5mm	SS box	4001116781919
E chrome look	10.0mm	11.5mm	SS box	4001116781926
E chrome look	12.5mm	14.0mm	SS box	4001116781933

### Square tile corner

EDL



Min. OU: 5 pcs.

· Modern appearance



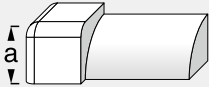

#### Stainless steel

Colour	Tile size	Dim. a	Packaging	EAN / Item no.
A stainless steel	5.8mm	6.0mm	SS box	4001116781957
A stainless steel	7.8mm	8.0mm	SS box	4001116781964
A stainless steel	9.8mm	10.0mm	SS box	4001116781971
A stainless steel	12.3mm	12.5mm	SS box	4001116781988

# Tile edgings

## Accessories for square edgings

**Square tile corner** EDL

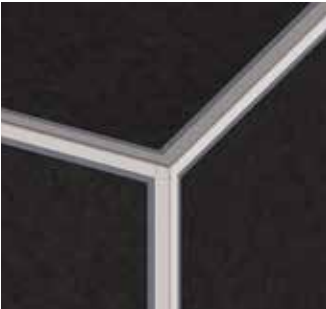

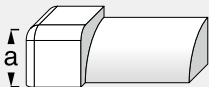

Min. OU: 5 pcs.

· Modern appearance

**Brushed stainless steel**

Colour	Tile size	Dim. a	Packaging	EAN / Item no.
A stainless steel	5.8mm	6.0mm	SS box	4001116 <b>784200</b>
A stainless steel	7.8mm	8.0mm	SS box	4001116 <b>784217</b>
A stainless steel	9.8mm	10.0mm	SS box	4001116 <b>784224</b>
A stainless steel	12.3mm	12.5mm	SS box	4001116 <b>784231</b>

**Square tile corner** EDL

Min. OU: 5 pcs.

· Modern appearance

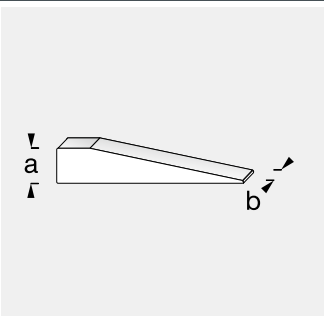
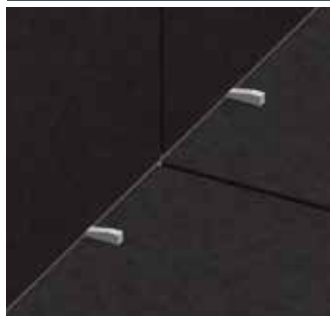
**Stainless steel, polished**

Colour	Tile size	Dim. a	Packaging	EAN / Item no.
A stainless steel	5.8mm	6.0mm	SS box	4001116 <b>784255</b>
A stainless steel	7.8mm	8.0mm	SS box	4001116 <b>784262</b>
A stainless steel	9.8mm	10.0mm	SS box	4001116 <b>784279</b>
A stainless steel	12.3mm	12.5mm	SS box	4001116 <b>784286</b>

Tile edgings | 97042 | 01.2017 | 71708

## Tile edgings Accessories for tiles

### Tile wedge



· As a spacer in the tiling

PVC

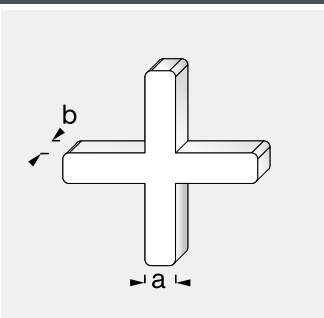


Min. OU: 5 pcs.

#### Plastic (hard PVC)

Colour	Dim. a	Dim. b	PU	Packaging	EAN / Item no.
A white	5.0 mm	4.0 mm	250 pieces	SS bag	4001116789809

### Tile spacer



· As a spacer in the tiling

PVC

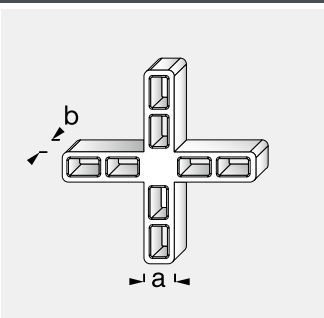


Min. OU: 5 pcs.

#### Plastic (hard PVC)

Colour	Dim. a	Dim. b	PU	Packaging	EAN / Item no.
A white	1.0 mm	3.0 mm	250 pieces	SS bag	4001116789816
A white	2.0 mm	3.0 mm	250 pieces	SS bag	4001116789823
A white	3.0 mm	4.0 mm	250 pieces	SS bag	4001116789830

### Tile spacer



· As a spacer in the tiling

PVC




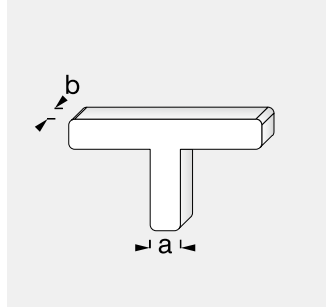

Min. OU: 5 pcs.

#### Plastic (hard PVC)

Colour	Dim. a	Dim. b	PU	Packaging	EAN / Item no.
A white	4.0 mm	4.5 mm	250 pieces	SS bag	4001116789847

## Tile edgings

### Accessories for tiles

<b>Tile T</b>	PVC
	
	<p>· As a spacer in the tiling</p>



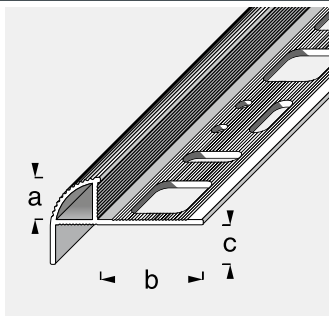
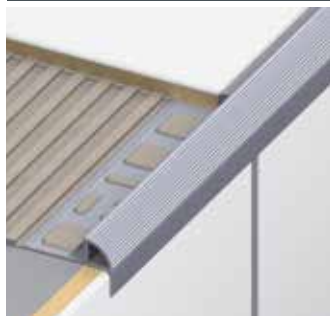
Plastic (hard PVC)					
Colour	Dim. a	Dim. b	PU	Packaging	EAN / Item no.
A white	2.0mm	3.0mm	250 pieces	SS bag	4001116 789878
A white	3.0mm	4.0mm	250 pieces	SS bag	4001116 789885



Tile edgings | 97042 | 01 2017 | 71708

## Tile edgings Step edging profiles

### Step edging profile "Simple"



- alfer<sup>®</sup>-fix universal punching
- Step edge protection

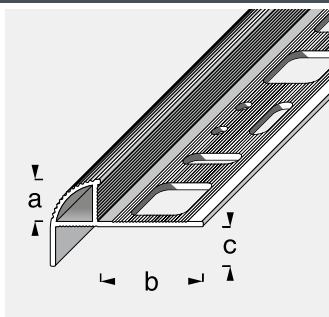
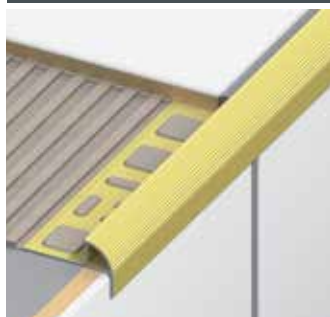
ALU



Min. OU: 5 pcs.

Uncoated aluminium					length: 1.00 m	length: 2.50 m
Colour	Dim. a	Dim. b	Dim. c	Packaging	EAN / Item no.	EAN / Item no.
A uncoated	8.0mm	19.5mm	7.5mm	loose	4001116 725432	4001116 725487
A uncoated	10.0mm	19.5mm	7.5mm	loose	4001116 725449	4001116 725494
A uncoated	12.5mm	19.5mm	7.5mm	loose	4001116 725456	4001116 725500

### Step edging profile "Simple"



- alfer<sup>®</sup>-fix universal punching
- Step edge protection

ALX

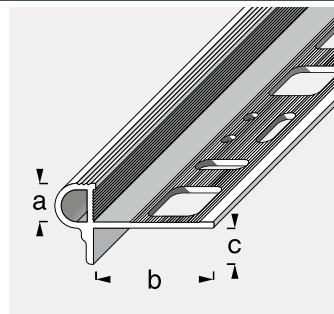
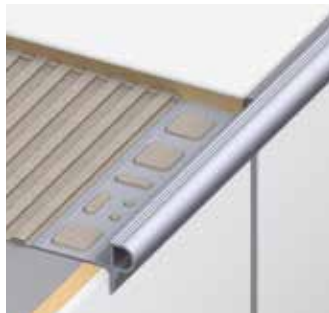


Min. OU: 5 pcs.

Anodized aluminium					length: 1.00 m	length: 2.50 m
Colour	Dim. a	Dim. b	Dim. c	Packaging	EAN / Item no.	EAN / Item no.
A silver	8.0mm	19.5mm	7.5mm	loose	4001116 725531	4001116 725586
A silver	10.0mm	19.5mm	7.5mm	loose	4001116 725548	4001116 725593
A silver	12.5mm	19.5mm	7.5mm	loose	4001116 725555	4001116 725609
B brass	8.0mm	19.5mm	7.5mm	loose	4001116 725630	4001116 725685
B brass	10.0mm	19.5mm	7.5mm	loose	4001116 725647	4001116 725692
B brass	12.5mm	19.5mm	7.5mm	loose	4001116 725654	4001116 725708
C titanium	8.0mm	19.5mm	7.5mm	loose	4001116 727139	4001116 727184
C titanium	10.0mm	19.5mm	7.5mm	loose	4001116 727146	4001116 727191
C titanium	12.5mm	19.5mm	7.5mm	loose	4001116 727153	4001116 727207

## Tile edgings Step edging profiles

### Step edging profile "Florentine"



ALU



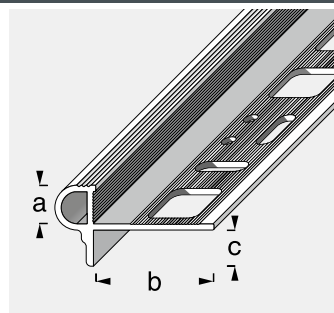
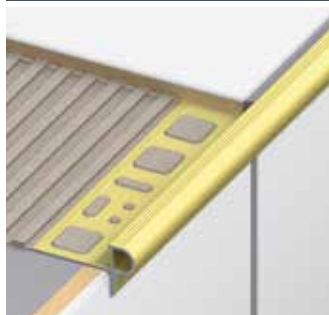
Min. OU: 5 pcs.

- alfer<sup>®</sup>-fix universal punching
- Step edge protection

#### Uncoated aluminium

Colour	Dim. a	Dim. b	Dim. c	Packaging	length: 1.00 m	length: 2.50 m
					EAN/Item no.	EAN/Item no.
A uncoated	8.0mm	24.5mm	7.5mm	loose	4001116 725739	4001116 725784
A uncoated	10.0mm	24.5mm	7.5mm	loose	4001116 725746	4001116 725791
A uncoated	12.5mm	24.5mm	7.5mm	loose	4001116 725753	4001116 725807

### Step edging profile "Florentine"



ALX



Min. OU: 5 pcs.

- alfer<sup>®</sup>-fix universal punching
- Step edge protection

#### Anodized aluminium

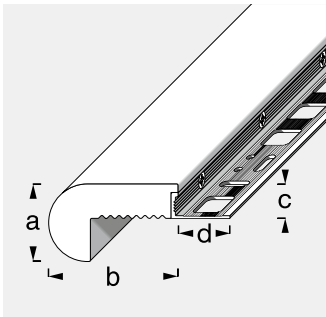
Colour	Dim. a	Dim. b	Dim. c	Packaging	length: 1.00 m	length: 2.50 m
					EAN/Item no.	EAN/Item no.
A silver	8.0mm	24.5mm	7.5mm	loose	4001116 725838	4001116 725883
A silver	10.0mm	24.5mm	7.5mm	loose	4001116 725845	4001116 725890
A silver	12.5mm	24.5mm	7.5mm	loose	4001116 725852	4001116 725906
B brass	8.0mm	24.5mm	7.5mm	loose	4001116 725937	4001116 725982
B brass	10.0mm	24.5mm	7.5mm	loose	4001116 725944	4001116 725999
B brass	12.5mm	24.5mm	7.5mm	loose	4001116 725951	4001116 726002
C titanium	8.0mm	24.5mm	7.5mm	loose	4001116 727238	4001116 727283
C titanium	10.0mm	24.5mm	7.5mm	loose	4001116 727245	4001116 727290
C titanium	12.5mm	24.5mm	7.5mm	loose	4001116 727252	4001116 727306



## Tile edgings Step edging profiles

### Step edging profile "Real wood", type 1

EHO



Min. OU: 5 pcs.

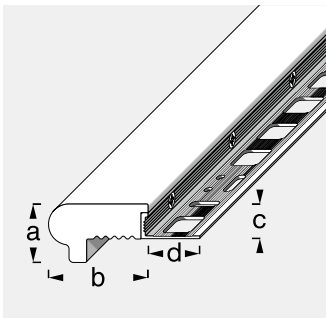
- alfer<sup>®</sup>-fix universal punching
- Real wood

Solid oak, aluminium, untreated

Colour	Dim. a	Dim. b	Dim. c	Dim. d	Packaging	length: 1.00 m EAN / Item no.	length: 1.30 m EAN / Item no.
A oak	27.0 mm	45.0 mm	10.0 mm	20.5 mm	loose	4001116 777905	4001116 777950

### Step edging profile "Real wood", type 2

EHO



Min. OU: 5 pcs.

- alfer<sup>®</sup>-fix universal punching
- Real wood

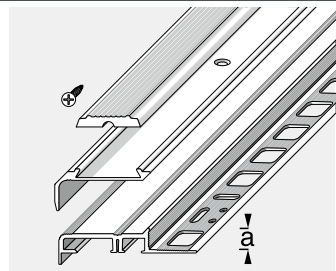
Solid oak, aluminium, untreated

Colour	Dim. a	Dim. b	Dim. c	Dim. d	Packaging	length: 1.00 m EAN / Item no.	length: 1.30 m EAN / Item no.
A oak	20.0 mm	34.0 mm	10.0 mm	20.5 mm	loose	4001116 777912	4001116 777967

# Tile edgings

## Tile edgings system for steps

### Complete system set



- alfer<sup>®</sup>-fix universal punching
- Step edge protection
- Anti-slip insert

ALX

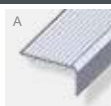
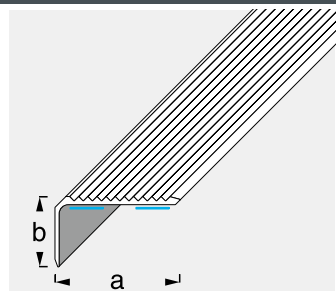


Min. OU: 5 pcs.

#### Anodized aluminium, drilled

Colour	Dim. a	PVC colour	Packaging	length: 1.00 m EAN / Item no.	length: 2.50 m EAN / Item no.
A silver	8.0 mm	black	shrink-wrapped	4001116 777103	4001116 777509
A silver	11.0 mm	black	shrink-wrapped	4001116 777196	4001116 777592

### Standard profile for steps



- Step edge protection
- With glue line

ALU

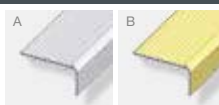
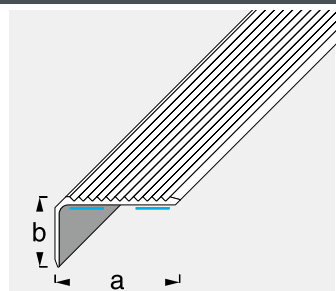
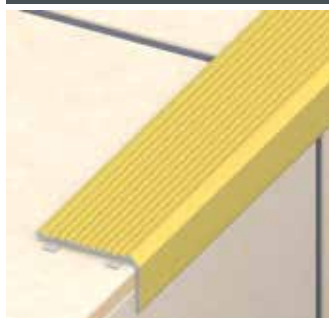


Min. OU: 5 pcs.

#### Uncoated aluminium, self-adhesive

Colour	Dim. a	Dim. b	Packaging	length: 1.00 m EAN / Item no.
A uncoated	41.0 mm	23.0 mm	shrink-wrapped	4001116 771101

### Standard profile for steps



- Step edge protection
- With glue line

ALX



Min. OU: 5 pcs.

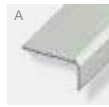
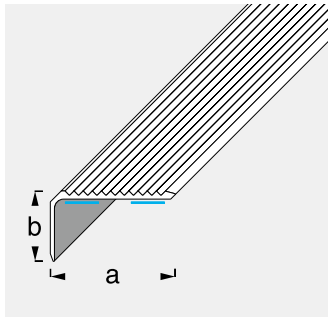
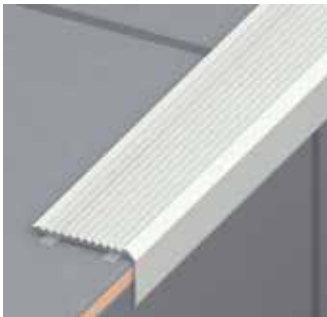
#### Anodized aluminium, self-adhesive

Colour	Dim. a	Dim. b	Packaging	length: 1.00 m EAN / Item no.	length: 2.50 m EAN / Item no.
A silver	41.0 mm	23.0 mm	shrink-wrapped	4001116 771118	4001116 775116
B brass	41.0 mm	23.0 mm	shrink-wrapped	4001116 771125	4001116 775123

# Tile edgings

## Tile edgings system for steps

### Standard profile for steps



- Step edge protection
- With glue line

ALP

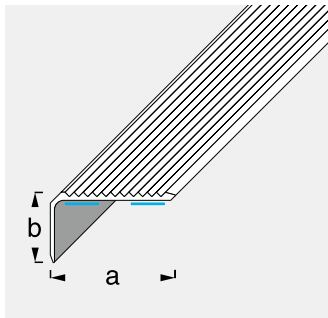
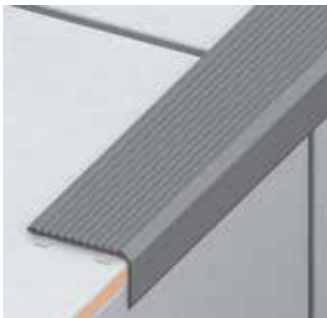


Min. OU: 5 pcs.

Powder-coated aluminium, self-adhesive

Colour	Dim. a	Dim. b	Packaging	length: 1.00 m EAN / Item no.
A antique white	41.0mm	23.0mm	shrink-wrapped	4001116771200

### Standard profile for steps



- Step edge protection
- With glue line

PVC

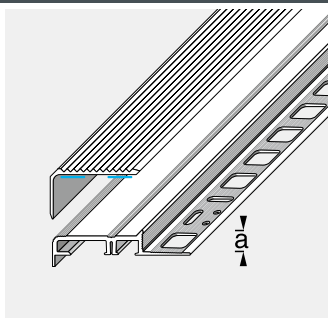


Min. OU: 5 pcs.

Plastic (hard PVC) self-adhesive

Colour	Dim. a	Dim. b	Packaging	length: 1.00 m EAN / Item no.
A grey	41.0mm	23.0mm	shrink-wrapped	4001116771323
B black	41.0mm	23.0mm	shrink-wrapped	4001116771309
C brown	41.0mm	23.0mm	shrink-wrapped	4001116771316

### Complete standard set



- **alfer**<sup>®</sup>-fix universal punching
- Step edge protection
- With glue line

ALX



Min. OU: 5 pcs.

Anodized aluminium

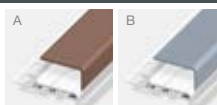
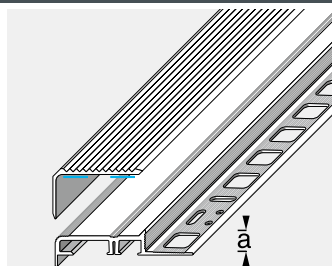
Colour	Dim. a	Packaging	length: 1.00 m EAN / Item no.
A silver	8.0mm	shrink-wrapped	4001116777004

# Tile edgings

## Tile edgings system for steps

Complete standard set

PVC



Min. OU: 5 pcs.

- **alfer**-fix universal punching
- Step edge protection
- With glue line

Plastic (hard PVC)			length: 1.00 m
Colour	Dim. a	Packaging	EAN / Item no.
A brown	8.0 mm	shrink-wrapped	4001116 77701 1
B grey	8.0 mm	shrink-wrapped	4001116 77702 8


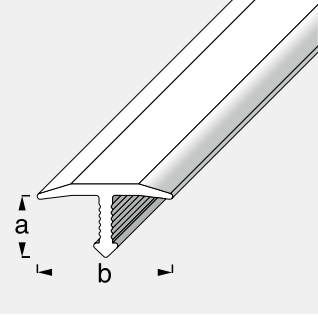



Tile edgings | 97042 | 01 2017 | 71708

# Tile edgings


## Joint cover profiles and expansion joint profiles

**Joint cover profile**

· Press into the fresh silicone


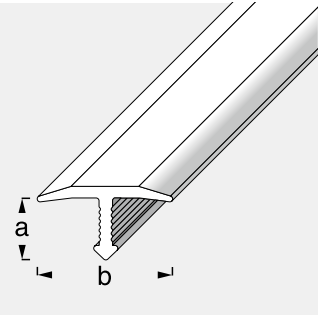
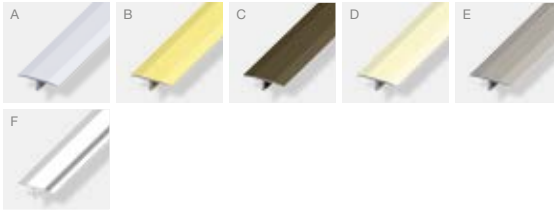
ALU



Min. OU: 5 pcs.


Uncoated aluminium				length: 1.00 m	length: 2.50 m
Colour	Dim. a	Dim. b	Packaging	EAN / Item no.	EAN / Item no.
A uncoated	6.0 mm	14.0 mm	loose	4001116 725029	4001116 725074
A uncoated	6.0 mm	25.0 mm	loose	4001116 725036	4001116 725081

**Joint cover profile**

· Press into the fresh silicone

ALX



Min. OU: 5 pcs.

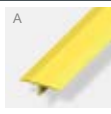
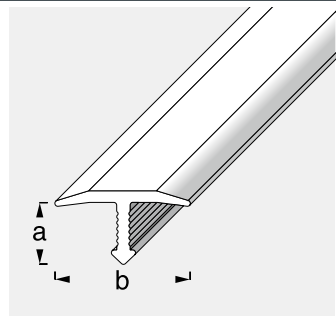
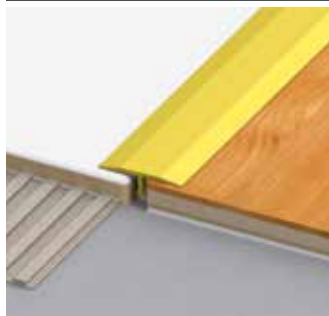
Anodized aluminium				length: 1.00 m	length: 2.50 m
Colour	Dim. a	Dim. b	Packaging	EAN / Item no.	EAN / Item no.
A silver	6.0 mm	14.0 mm	loose	4001116 725128	4001116 725173
A silver	6.0 mm	25.0 mm	loose	4001116 725135	4001116 725180
B brass	6.0 mm	14.0 mm	loose	4001116 725227	4001116 725272
B brass	6.0 mm	25.0 mm	loose	4001116 725234	4001116 725289
C bronze	6.0 mm	14.0 mm	loose	4001116 726125	4001116 726170
C bronze	6.0 mm	25.0 mm	loose	4001116 726132	4001116 726187
D champagne	6.0 mm	14.0 mm	loose	4001116 726323	4001116 726378
D champagne	6.0 mm	25.0 mm	loose	4001116 726330	4001116 726385
E titanium	6.0 mm	14.0 mm	loose	4001116 726224	4001116 726279
E titanium	6.0 mm	25.0 mm	loose	4001116 726231	4001116 726286
F chrome look	6.0 mm	14.0 mm	shrink-wrapped	4001116 724824	4001116 724879
F chrome look	6.0 mm	25.0 mm	shrink-wrapped	4001116 724831	4001116 724886

Tile edgings | 197042 | 01.2017 | 171708

# Tile edgings

## Joint cover profiles and expansion joint profiles

### Joint cover profile



· Press into the fresh silicone

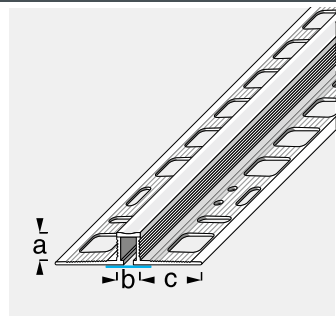
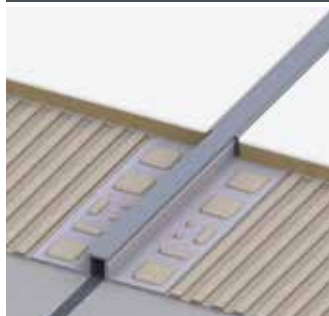
MES



Min. OU: 5 pcs.

Solid brass					length: 1.00 m	length: 2.50 m
Colour	Dim. a	Dim. b	Packaging	EAN / Item no.	EAN / Item no.	
A brass	6.0 mm	14.0 mm	loose	4001116 725326	4001116 725371	
A brass	6.0 mm	25.0 mm	loose	4001116 725333	4001116 725388	

### Expansion joint profile



· alfer<sup>®</sup>-fix universal punching  
· With adhesive tape

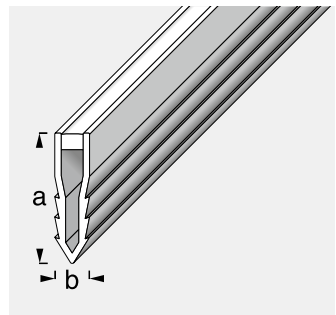
PVC



Min. OU: 5 pcs.

Plastic (hard PVC) with expansion joint in soft PVC					length: 1.00 m	length: 2.50 m
Colour	Dim. a	Dim. b	Dim. c	Packaging	EAN / Item no.	EAN / Item no.
A manhattan grey	6.0 mm	8.0 mm	21.0 mm	loose	4001116 767029	4001116 769023
A manhattan grey	8.0 mm	8.0 mm	21.0 mm	loose	4001116 767128	4001116 769122
A manhattan grey	10.0 mm	8.0 mm	21.0 mm	loose	4001116 767227	4001116 769221
A manhattan grey	12.5 mm	8.0 mm	21.0 mm	loose	4001116 767326	4001116 769320
B dark grey	6.0 mm	8.0 mm	21.0 mm	loose	4001116 767043	4001116 769047
B dark grey	8.0 mm	8.0 mm	21.0 mm	loose	4001116 767142	4001116 769146
B dark grey	10.0 mm	8.0 mm	21.0 mm	loose	4001116 767241	4001116 769245
B dark grey	12.5 mm	8.0 mm	21.0 mm	loose	4001116 767340	4001116 769344

### Expansion joint profile for thick beds



PVC



Min. OU: 5 pcs.

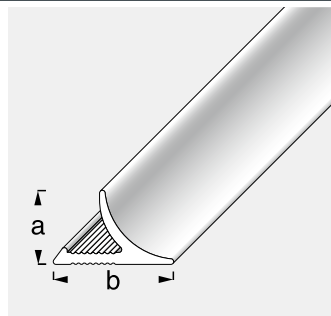
Plastic (hard PVC) with expansion joint in soft PVC				length: 2.50 m
Colour	Dim. a	Dim. b	Packaging	EAN / Item no.
A dark grey	30.0 mm	8.0 mm	loose	4001116 766992

Tile edgings | 97042 | 01.2017 | 71708

# Tile edgings

## Joint cover profiles and expansion joint profiles

### Edge joint cover profile



· Press into the fresh silicone

ALP

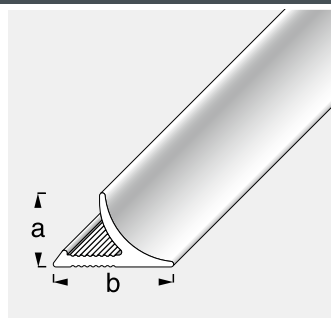


Min. OU: 5 pcs.

#### Powder-coated aluminium

Colour	Dim. a	Dim. b	Packaging	length: 1.00 m EAN / Item no.	length: 2.50 m EAN / Item no.
A brilliant-white	8.0 mm	13.0 mm	loose	4001116 72807 5	4001116 72817 4
A brilliant-white	12.0 mm	17.0 mm	loose	4001116 72827 3	4001116 72837 2

### Edge joint cover profile



· Press into the fresh silicone

ALX



Min. OU: 5 pcs.

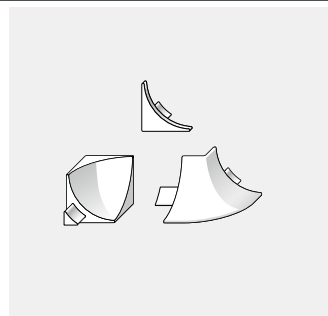
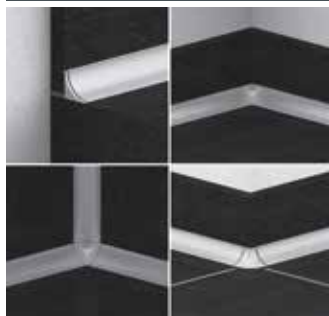
#### Anodized aluminium

Colour	Dim. a	Dim. b	Packaging	length: 1.00 m EAN / Item no.	length: 2.50 m EAN / Item no.
A silver	8.0 mm	13.0 mm	loose	4001116 72801 3	4001116 72811 2
A silver	12.0 mm	17.0 mm	loose	4001116 72821 1	4001116 72831 0
B titanium	8.0 mm	13.0 mm	loose	4001116 72805 1	4001116 72815 0
B titanium	12.0 mm	17.0 mm	loose	4001116 72825 9	4001116 72835 8
C chrome look	8.0 mm	13.0 mm	shrink-wrapped	4001116 72806 8	4001116 72816 7
C chrome look	12.0 mm	17.0 mm	shrink-wrapped	4001116 72826 6	4001116 72836 5

## Tile edgings

### Joint cover profiles and expansion joint profiles | Wet sealing profiles

#### Accessory set for edge joint cover profiles



ABS



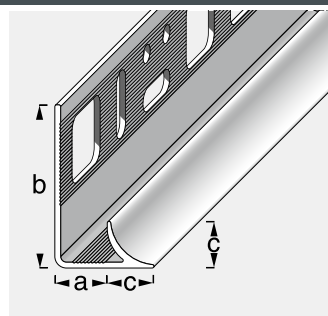
Min. OU: 5 pcs.

· Contents: 2 × external corners, 2 × internal corners, 2 × edgings

#### Plastic (ABS)

Colour	Dim. a	Packaging	EAN / Item no.
A silver	8.0mm	SS box	4001116 729027
A silver	12.0mm	SS box	4001116 729034
B chrome look	8.0mm	SS box	4001116 729089
B chrome look	12.0mm	SS box	4001116 729096
C titanium	8.0mm	SS box	4001116 729065
C titanium	12.0mm	SS box	4001116 729072
D brilliant-white	8.0mm	SS box	4001116 729003
D brilliant-white	12.0mm	SS box	4001116 729010

#### Wall connection profile with alfer-fix



· alfer-fix universal punching

PVC

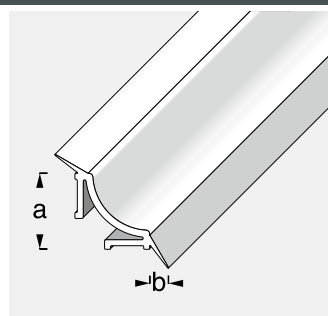


Min. OU: 5 pcs.

#### Plastic (hard PVC)

Colour	Dim. a	Dim. b	Dim. c	Packaging	length: 2.50 m EAN / Item no.
A brilliant-white	8.0mm	28.0mm	8.0mm	loose	4001116 728501

#### Wet sealing profile



PVC



Min. OU: 5 pcs.

#### Plastic (hard PVC) with sealing lips (soft PVC)

Colour	Dim. a	Dim. b	Packaging	length: 1.83 m EAN / Item no.
A white	16.0 mm	4.0 mm	loose	4001116 713002
B manhattan grey	16.0 mm	4.0 mm	loose	4001116 713019



## Tile edgings Wet sealing profiles

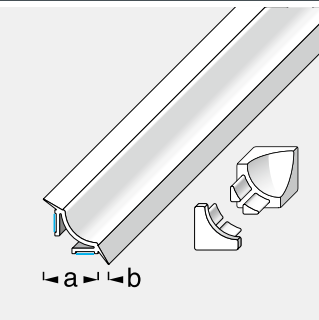
### Adhesive tape for wet sealing profiles



Min. OU: 5 pcs.

Colour	Packaging	length: 3.66 m
A white	clap-pac	EAN/Item no. 4001116713194

### Self-adhesive sealing rail set



Min. OU: 5 pcs.

- Contents: 2 × self-adhesive wet sealing profiles 2.50 m, 2 × internal corners, 3 × edgings
- With glue line

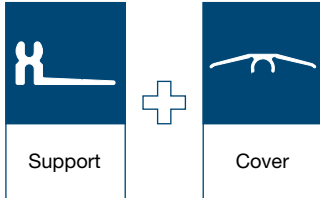
Plastic (hard PVC) with sealing lips (ABS)				length: 2.50 m
Colour	Dim. a	Dim. b	Packaging	EAN/Item no.
A brilliant-white	16.0 mm	4.0 mm	shrink-wrapped	4001116713309

# Tile edgings

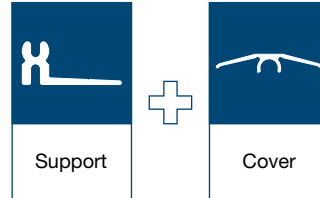
## Floor covering height ranges

**clipstech**

For same height floor coverings



Level compensation from 0.0 mm – 10.0 mm



**Cover strip 33/46mm and wall edging profile**

**Cover strip 46mm**

	Support profile colour	Floor covering	
		From	To
	White	6.0mm	8.0mm
	Ivory	8.5mm	10.5mm
	Grey	11.0mm	13.0mm
	Caramel	13.5mm	15.5mm
	Brown	20.5mm	22.5mm

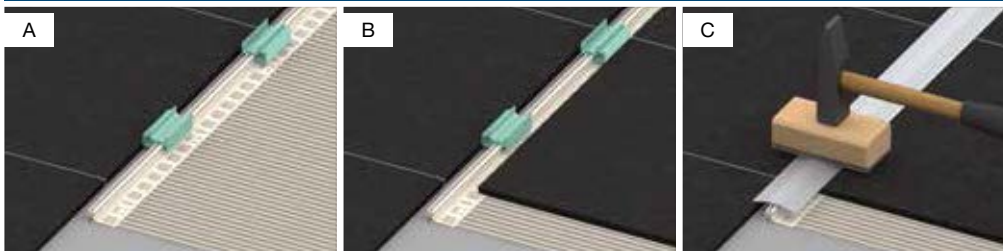
Level compensation from 0.0 – 4.0mm	Support profile colour	Left floor		Right floor	
		From	To	From	To
	White	4.0mm	6.0mm	6.0mm	8.0mm
	Ivory	6.5mm	8.5mm	8.5mm	10.5mm
	Grey	9.0mm	11.0mm	11.0mm	13.0mm
	Caramel	11.5mm	13.5mm	13.5mm	15.5mm
	Brown	18.5mm	20.5mm	20.5mm	22.5mm

Level compensation from 4.0 – 8.0mm	Support profile colour	Left floor		Right floor	
		From	To	From	To
	White	2.0mm	4.0mm	8.0mm	10.0mm
	Ivory	4.5mm	6.5mm	10.5mm	12.5mm
	Grey	7.0mm	9.0mm	13.0mm	15.0mm
	Caramel	9.5mm	11.5mm	15.5mm	17.5mm
	Brown	16.5mm	18.5mm	22.5mm	24.5mm

Level compensation from 8.0 – 10.0mm	Support profile colour	Left floor		Right floor	
		From	To	From	To
	White	0.0mm	2.0mm	10.0mm	
	Ivory	2.5mm	4.5mm	12.5mm	
	Grey	5.0mm	7.0mm	15.0mm	
	Caramel	7.5mm	9.5mm	17.5mm	
	Brown	14.5mm	16.5mm	24.5mm	

Tile edgings | 97042 | 01 2017 | 71708

**The correct laying method | clipstech**

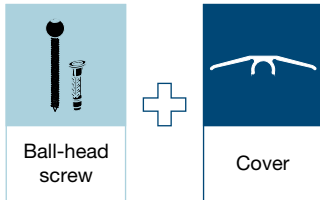


# Tile edgings

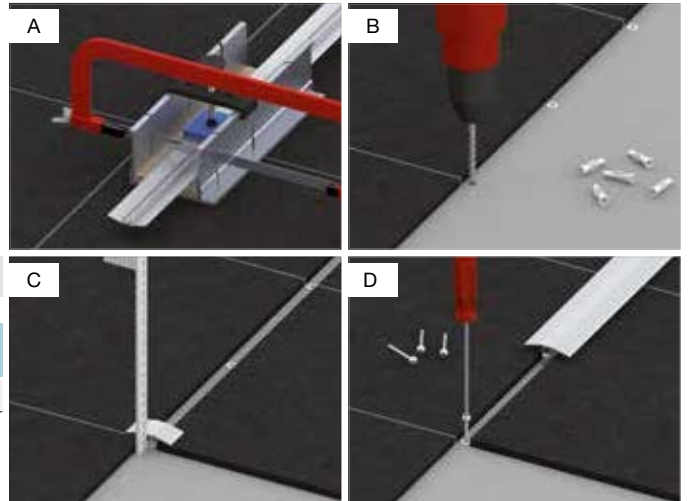
## Floor covering height ranges

### clipstech<sup>®</sup>-vario

Same height coverings and level comp. from 0.0–21.0 mm



The correct laying method | clipstech<sup>®</sup>-vario



Cover strip, level compensator profile and edging profile

	Support	Floor covering	
		From	To
	Ball-head screw	6.0 mm	20.0 mm

	Level compensation up to 10.0 mm	Cover strip 46 mm
--	----------------------------------	-------------------

### Useful application videos

Watch videos of our product and processing tips on YouTube: [www.youtube.com/alferaluminium](http://www.youtube.com/alferaluminium)

### clipstech<sup>®</sup>



### clipstech<sup>®</sup>-vario

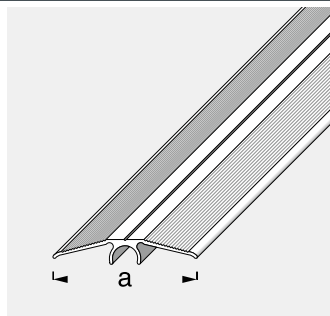
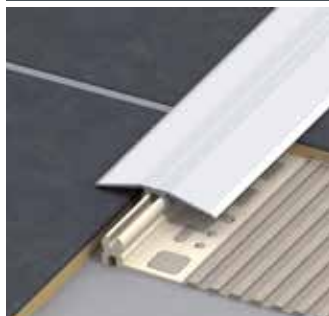


# Tile edgings

## clipstech<sup>®</sup> system profiles

### clipstech<sup>®</sup> cover strip

ALX



Min. OU: 5 pcs.

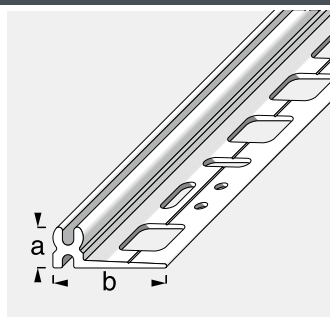
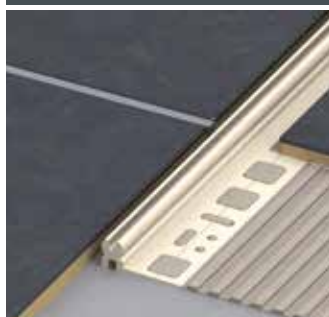
Page 50

· Without interference from screws

Anodized aluminium				length: 1.00 m	length: 2.70 m
Colour	Dim. a	Packaging		EAN / Item no.	EAN / Item no.
A silver	46.0 mm	shrink-wrapped		4001116880100	4001116884108
B brass	46.0 mm	shrink-wrapped		4001116880117	4001116884115
C bronze	46.0 mm	shrink-wrapped		4001116880124	4001116884122
D champagne	46.0 mm	shrink-wrapped		4001116880193	4001116884191
E titanium	46.0 mm	shrink-wrapped		4001116890109	4001116894107

### clipstech<sup>®</sup> support profile

PVC



Min. OU: 5 pcs.

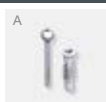
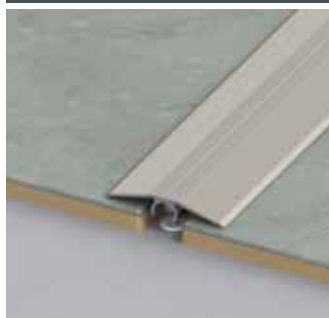
Page 50

· alfer<sup>®</sup>-fix universal punching

Plastic (hard PVC)				length: 1.00 m	length: 2.70 m
Colour	Dim. a	Dim. b	Packaging	EAN / Item no.	EAN / Item no.
A white	8.5 mm	30.0 mm	loose	4001116880001	4001116884009
B ivory	11.0 mm	30.0 mm	loose	4001116880018	4001116884016
C grey	13.5 mm	30.0 mm	loose	4001116880049	4001116884047
D caramel	16.0 mm	30.0 mm	loose	4001116880025	4001116884023
E brown	23.0 mm	30.0 mm	loose	4001116880032	4001116884030

### Plug system

STA



Min. OU: 5 pcs.

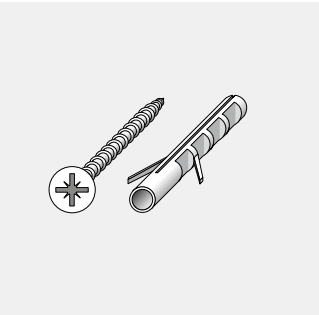
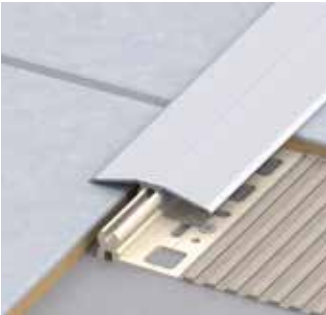
Page 51

Galvanized steel						length: 35.0 mm
Colour	Screw size	Plug size	PU	Packaging		EAN / Item no.
A galvanized	4,0 mm	6.0 mm Ø	5 pieces	each, SS box		4001116882098

## Tile edgings clipstech<sup>®</sup> system profiles

### Countersunk screw with plug

STA



Min. OU: 5 pcs.

Page 50

Steel	Colour	Screw size	Plug size	PU	Packaging	EAN/Item no.
A	silver	3,0mm x 30,0mm	5.0mmØ	10 pieces	each, SS box	4001116511257

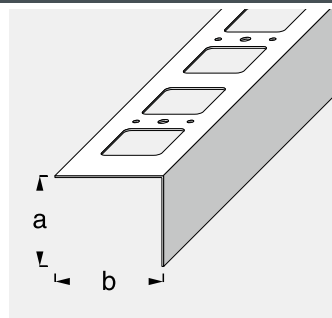
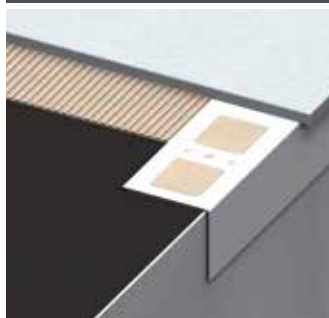


Tile edgings | 97042 | 01 2017 | 71708

# Tile edgings

## Mats and accessories

### Balcony bracket

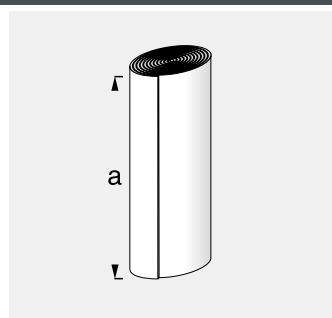


ALP

Min. OU: 5 pcs.

Powder-coated aluminium				length: 2.50 m
Colour	Dim. a	Dim. b	Packaging	EAN / Item no.
A brilliant-white	75.0mm	90.0mm	loose	4001116005947
B manhattan grey	75.0mm	90.0mm	loose	4001116005930
C dark grey	75.0mm	90.0mm	loose	4001116005954
D grey-beige	75.0mm	90.0mm	loose	4001116005909
E fawn brown	75.0mm	90.0mm	loose	4001116005916
F black brown	75.0mm	90.0mm	loose	4001116005923

### Drainage mat



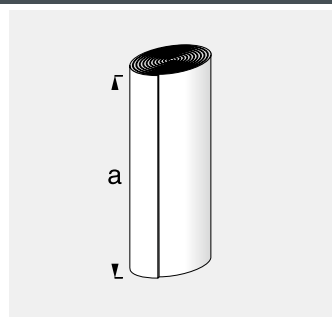
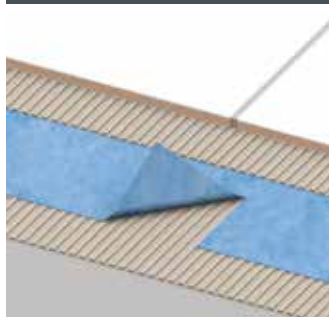
· Suitable for drainage

PE

Min. OU: 5 pcs.

Plastic (PE, high density, nonwoven PP)				length: 12.50 m
Colour	Dim. a	Thickness	Packaging	EAN / Item no.
A blue	960.0mm	10.6mm	loose	4001116005503

### Sealing film



· Sealing

PP

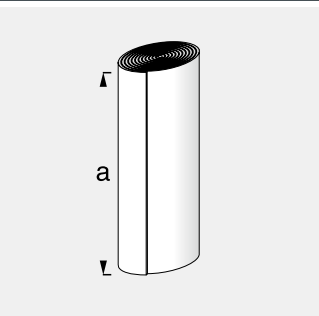
Min. OU: 5 pcs.

Plastic (PP, fleeced)				length: 30.00 m
Colour	Dim. a	Thickness	Packaging	EAN / Item no.
A blue	1,000.0mm	0.5mm	loose	4001116005671

Tile edgings | 97042 | 01 2017 | 71708

## Tile edgings Mats and accessories

### Isolation and impact sound insulating mat



- Crack-bridging
- Noise insulating

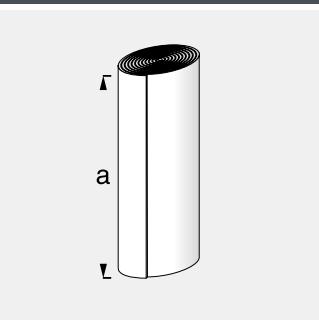
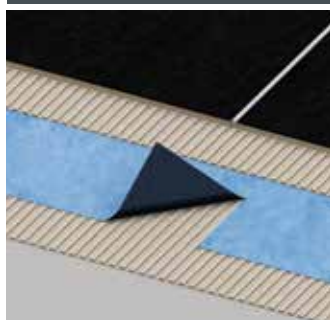
PE



Min. OU: 5 pcs.

Plastic (PE)					length: 10.00 m
Colour	Dim. a	Thickness	Packaging	EAN / Item no.	
A white	1,000.0 mm	1.0 mm	loose	400111600555 8	

### Isolation and sealing mat



- Sealing
- Crack-bridging

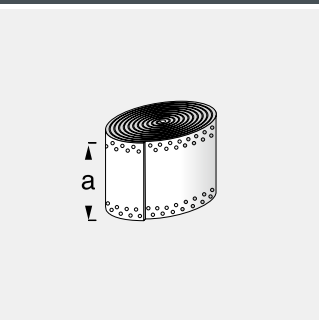
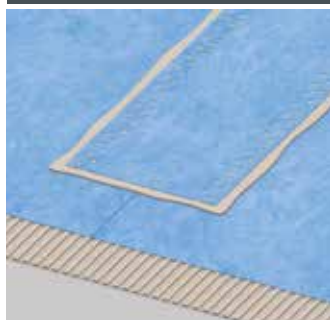
PE



Min. OU: 5 pcs.

Plastic (PE, high density, nonwoven PP)					length: 30.00 m
Colour	Dim. a	Thickness	Packaging	EAN / Item no.	
A blue	120.0 mm	0.85 mm	SS cardboard box	400111600556 5	

### Perforated sealing strip



- Sealing

PP

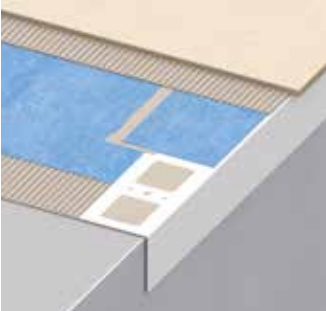
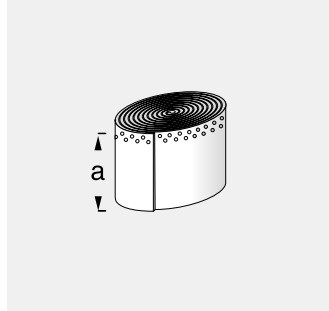



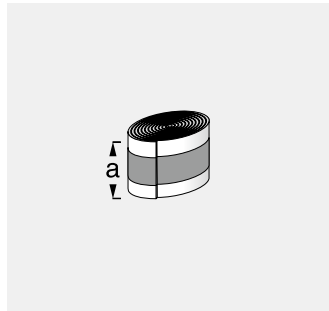


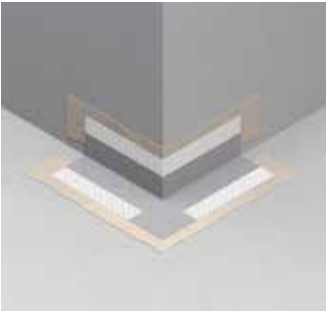
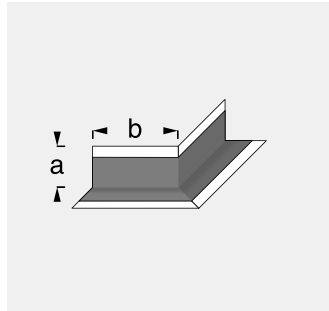




Min. OU: 5 pcs.

Plastic (PP, fleeced)					length: 25.00 m
Colour	Dim. a	Thickness	Packaging	EAN / Item no.	
A blue	120.0 mm	0.4 mm	loose	400111600560 2	

# Tile edgings

## Mats and accessories

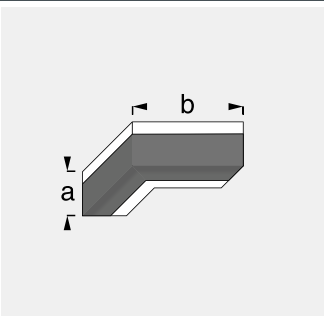
Sealing strip, one side self-adhesive					PP	
					 Min. OU: 5 pcs.	
<b>Plastic (PP, fleeced)</b>					length: 10.00 m	
Colour	Dim. a	Thickness	Packaging		EAN / Item no.	
A blue	120.0 mm	0.4 mm	loose		4001116005695	
Professional sealing tape					EPDM	
					 Min. OU: 5 pcs.	
<b>Plastic (EPDM with PE fabric)</b>					length: 25.00 m	
Colour	Dim. a	Thickness	Packaging		EAN / Item no.	
A grey	120.0 mm	0.4 mm	loose		4001116005696	
External angle					EPDM	
					 Min. OU: 5 pcs.	
<b>Plastic (EPDM with PE fabric)</b>						
Colour	Dim. a	Dim. b	Thickness	PU	Packaging	EAN / Item no.
A grey	125.0 mm	162.5 mm	0.8 mm	2 pieces	SS box	4001116005664

Tile edgings | 97042 | 01 2017 | 71708



## Tile edgings Mats and accessories

### Internal angle



· Sealing

EPDM

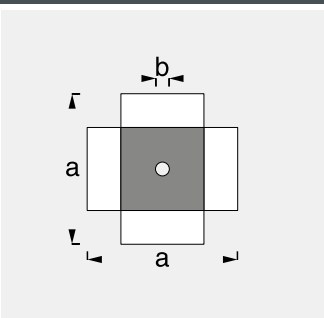


Min. OU: 5 pcs.

Plastic (EPDM with PE fabric)

Colour	Dim. a	Dim. b	Thickness	PU	Packaging	EAN/Item no.
A grey	60.0mm	135.0mm	0.8mm	2 pieces	SS box	4001116005657

### Wall sleeve



· Sealing

EPDM



Min. OU: 5 pcs.

Plastic (EPDM with PE fabric)

Colour	Dim. a	Dim. b	Thickness	PU	Packaging	EAN/Item no.
A grey	120.0mm	16.0mm	0.5mm	2 pieces	SS box	4001116005640

Tile edgings | 97042 | 01 2017 | 71708

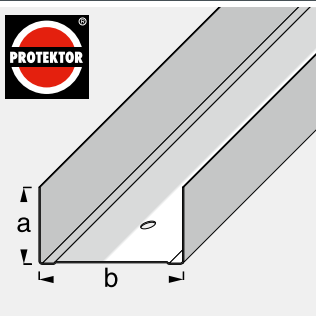


# Tile edgings

## Dry construction profiles

### U-profile for wall

STA



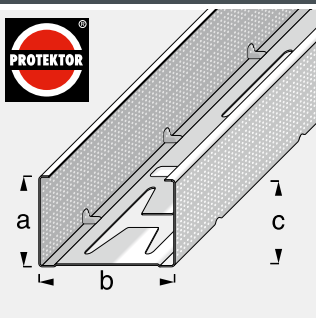
Min. OU: 5 pcs.

#### Galvanized steel sheet

None	Dim. a	Dim. b	Packaging	length: 2.60 m EAN / Item no.
A type 50	40.0mm	50.0mm	loose	4001116 79962 4
A type 75	40.0mm	75.0mm	loose	4001116 79963 1

### Maxi wall C-profile

STA



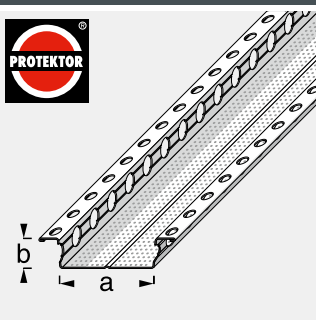
Min. OU: 5 pcs.

#### Galvanized steel sheet

None	Colour	Dim. a	Dim. b	Dim. c	Packaging	length: 2.60 m EAN / Item no.
A type 50	galvanized	51.0mm	48.8mm	48.0mm	loose	4001116 79964 8
A type 75	galvanized	51.0mm	73.8mm	48.0mm	loose	4001116 79965 5

### Dry construction profile

STA



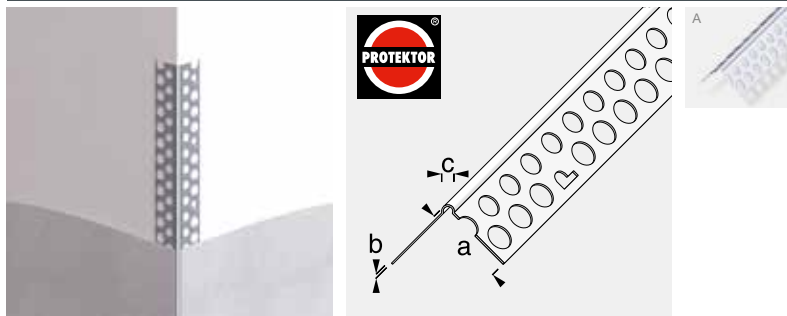
Min. OU: 5 pcs.

#### Galvanized steel sheet

Dim. a	Dim. b	Packaging	length: 2.30 m EAN / Item no.
A 48.0mm	15.5mm	loose	4001116 79966 2

## Tile edgings Dry construction profiles

### Corner bead



ALU

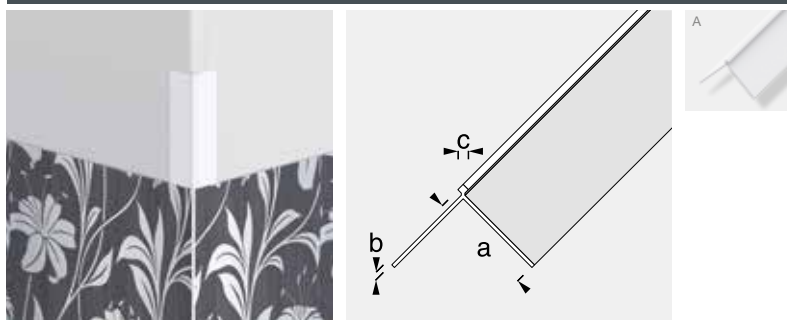


Min. OU: 5 pcs.

#### Uncoated aluminium

Colour	Dim. a	Dim. b	Dim. c	Packaging	length: 2.50 m EAN / Item no.
A uncoated	25.0 mm	1.0 mm	4.0 mm	loose	4001116799600

### Wall covering corner bar



PVC



Min. OU: 5 pcs.

#### Plastic (hard PVC)

Colour	Dim. a	Dim. b	Dim. c	Packaging	length: 2.60 m EAN / Item no.
A white	20.0 mm	1.0 mm	2.0 mm	loose	4001116799815


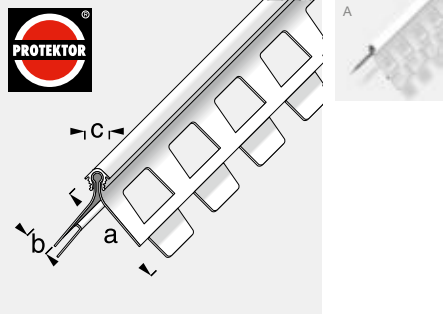

Tile edgings | 97042 | 01 2017 | 71708



# Tile edgings

## Plastering profiles


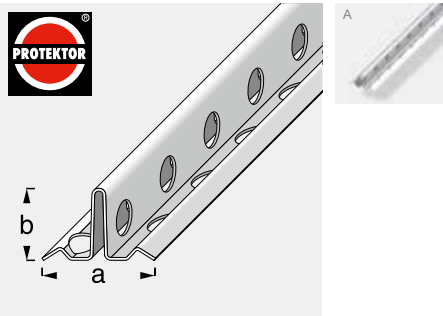

**Corner bead** STA

Min. OU: 5 pcs.

Galvanized steel sheet							length: 2.50 m
Plaster thickness	Colour	PVC colour	Dim. a	Dim. b	Dim. c	Packaging	EAN / Item no.
A 14.0 mm	galvanized	white	41.0 mm	14.0 mm	8.5 mm	loose	4001116 79920 4


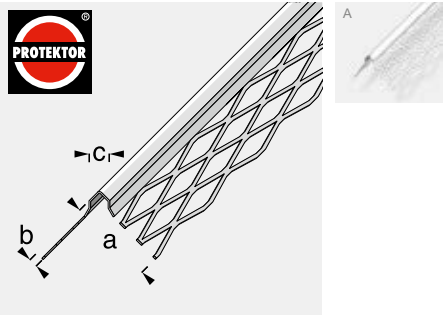

**Depth gauge beads** STA

Min. OU: 5 pcs.

Galvanized steel sheet						length: 2.50 m
Plaster thickness	Colour	Dim. a	Dim. b	Packaging	EAN / Item no.	
A 6.0 mm	galvanized	21.0 mm	6.0 mm	loose	4001116 79945 7	
A 10.0 mm	galvanized	24.0 mm	10.0 mm	loose	4001116 79944 0	
A 12.0 mm	galvanized	21.0 mm	12.0 mm	loose	4001116 79941 9	

**Corner bead** STA

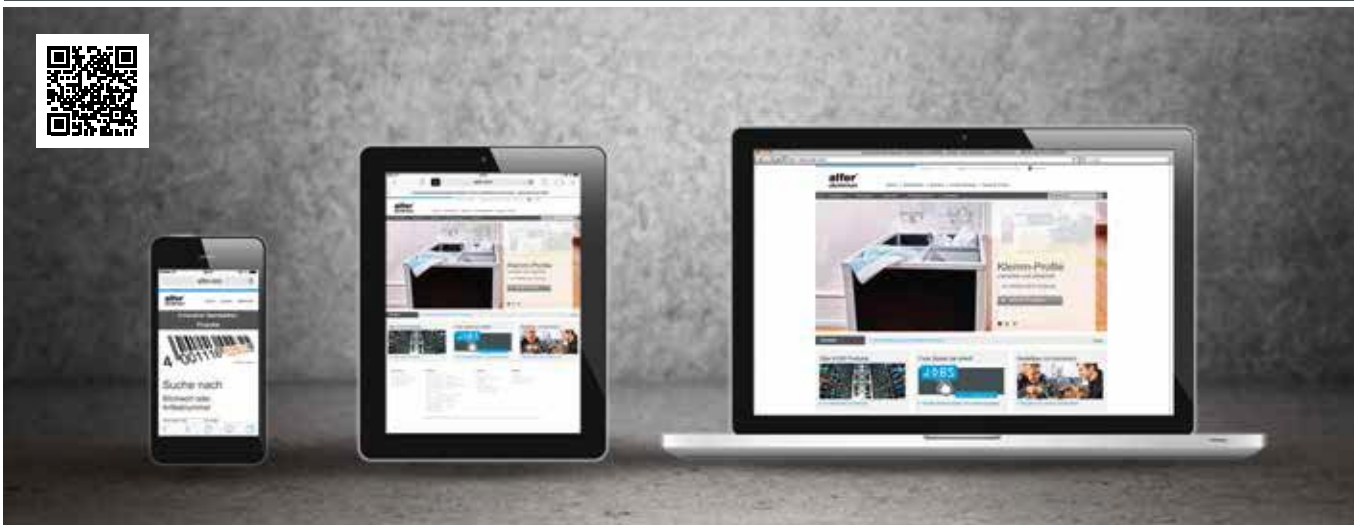
Min. OU: 5 pcs.

Galvanized steel sheet							length: 2.50 m
Plaster thickness	Colour	Dim. a	Dim. b	Dim. c	Packaging	EAN / Item no.	
A 12.0 mm	galvanized	34.0 mm	12.0 mm	7.5 mm	loose	4001116 79940 2	

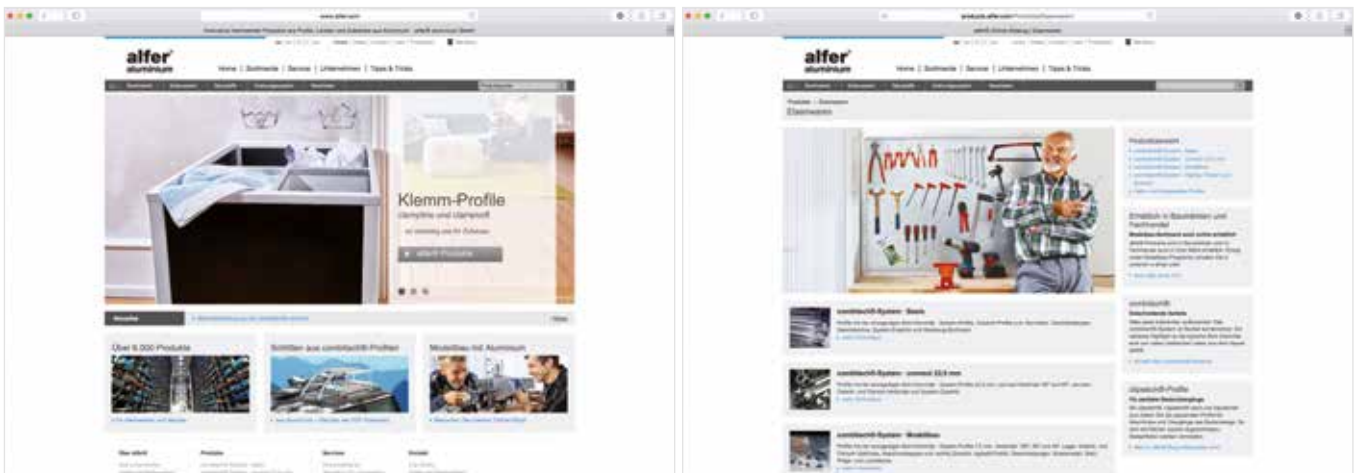
Tile edgings | 97042 | 01 2017 | 71708

# Tile edgings Index

alfer<sup>®</sup> makes you mobile



Information about **alfer** and the full product range plus plenty of other useful information can be found online. Our website is also optimised for mobile devices and tablets. Wherever you are, you can find what you are looking for – quickly and clearly.



## Start browsing and get enjoying!

The complete product catalogue can also be downloaded in PDF format from our website [www.alfer.com](http://www.alfer.com), where you will also find many other useful services and suggestions in relation to the fascinating **alfer** product world.

For example, look forward to plenty of practical tips and tricks for existing and budding DIY enthusiasts. Get inspiration from our refined building ideas. Use our comprehensive download area to obtain catalogues, brochures and building instructions. And make sure you take a look at our helpful application and product videos. They are well worth watching!

We look forward to your visit to [www.alfer.com](http://www.alfer.com)

# Tile edgings

## Index

### alfer<sup>®</sup> ranges



#### **combitech<sup>®</sup> system | Basis**

Everything fits together:

The **combitech<sup>®</sup>** system: flexibly combinable. One product highlight is the typical drill alignment groove – just one of many practical ideas from **alfer<sup>®</sup>**. For example, this marks the opposite sides of a rounded pipe making vertical drilling through the middle easy. The Basis range from **combitech<sup>®</sup>** comprises standard aluminium and plastic profiles such as pipes, brackets, square tubes and much, much more.



#### **combitech<sup>®</sup> system | connect 23.5 mm**

The **combitech<sup>®</sup>** connect connectors can be used to simply connect 23.5 mm square tubes. Whether frames, shelves or anything else you wish to build, the stable polyamide connectors hold everything together. The connectors are available in two colours: black and white.



#### **combitech<sup>®</sup> system | Sheets, plates and accessories**

A huge selection of sheets provides the right product for many applications. The **alfer<sup>®</sup>** sheets come in many different thicknesses and materials. Multiple different finish options are also available from functional to decorative.

#### **Prismatech and Multitube:**

The profiles for framing and stabilising the sheets are particularly practical. **alfer<sup>®</sup>** offers clever options to this end through Prismatech and Multitube.



#### **combitech<sup>®</sup> system | logika<sup>®</sup>**

**logika<sup>®</sup>** is a new addition to the **combitech<sup>®</sup>** systems in the form of a logically perforated profile. **logika<sup>®</sup>** profiles enable you to build shelves, tables, steps, and much more. This will enable you to create order in rooms or vehicles. The holes in the profiles are made in such a way that they are as small as possible but as big as necessary to ensure high stability and so that, for example, at least three brackets will fit on top of each other and a further bracket can be screwed in place vertically to the others. The profiles are particularly suited for use in cold-storage rooms, cellars and wet areas.



#### **Profiles for DIY and professional purposes**

Flat bars, brackets with even and uneven branches, U-profiles, round bars, rectangular tubes and a whole range of other profiles. These form the basis for you to turn your ideas into reality. The classic semi-finished products for DIY enthusiasts and professionals are made from aluminium with anodised or untreated finishes, as well as many other materials.



#### **Steel profiles**

Steel is the most commonly used metallic material and offers an array of impressive benefits: high tensile strength, good malleability and thermal conductivity. The noteworthy material strength and rigidity ensure optimum stability. Furthermore, steel is extremely easy to work and resource-conserving as it can be recycled without any loss of quality. **alfer<sup>®</sup>** steel profiles are available as flat, angle, U, T, round and square profiles and tubes as well as in the form of sectional steel and wide-flanged beams.



#### **combitech<sup>®</sup> system | Model construction**

**alfer<sup>®</sup>** has a special place in its heart for model builders. Model builders can therefore also acquire **combitech<sup>®</sup>** connect connectors for 7.5 mm profiles. Numerous special shapes such as the 150° angle connector are also available. The popular benefits such as the drill alignment groove and the easy-to-combine dimensions also prove their worth in the model construction range.

Discover the full diversity of the model construction range in the online shop: [www.alfer-shop.com](http://www.alfer-shop.com)

# Tile edgings Index

## alfer® ranges



### combitech® system | coaxis®

A further addition to the **combitech**® system is the **coaxis**® profile. This consists of four hollow chambers coaxially located around the core. The special design of the aluminium profiles ensure excellent longitudinal and lateral stability with the lowest weight. Equipped with drill alignment holes, the profiles are extremely simple to use and the angle bracket and hook can even be installed without drilling, using simply a square nut and screw. The profiles are ideal for use in damp areas and can even be used in the garden thanks to their weather-resistance.



### Storage range

The broad version of the **coaxis**® profile can be horizontally, vertically and diagonally attached to walls and ceilings, allowing you to make optimal use of the available space. With the right hook, everything finds a place, whether indoors or out. Whether in the garden, the garage, the cellar or the attic: everything can be securely stored. The rubber caps on the hooks ensure that nothing gets scratched. The **coaxis**® hooks are available in aluminium or galvanised steel. The **alfer**® bicycle stand is made of lightweight, weather-resistant aluminium. It is suitable for all bikes, from racing bikes and city bikes to mountain bikes. It comes either as a rigid or an infinitely adjustable version, individually or as a three-piece set.



### Tile edgings

Clean edges and finishes with aluminium profiles. Whether you lay your tiles yourself or have them laid by a specialist, there is one important 'side issue' that you should never forget. The **alfer**® profiles can be used on corners and edges, transitions between floor coverings and stairways. Clean edges and transitions not only look good but are also hygienic as they prevent any fraying or scuffing and improve water-resistance.



### Floor and room profiles

Transitions between different floor coverings, a clean and protective edging or stair edges, all available in a whole range of colours, materials and décors. The stair profiles provide safety and particularly protect textile coverings against scuffing on the edges, ensuring they retain their visual appeal for many years. The profiles are extremely colour stable and completely crush-proof. For minor damage to aged stairs, **alfer**® offers stair repair brackets for simple restoration. **alfer**® door sealing brushes simply and effectively prevent drafts.



### Profiles for parquet, laminate and designer floors

Perfectly laid parquet and laminate floorboards the easy way. The ease of laying ready-to-install parquet, cork and laminate floorboards makes them extremely popular with DIY enthusiasts. And anyone who appreciates this feature will love the parquet and laminate profiles from **alfer**®. With **clipstech**®, **clipstech**®-vario and **clipstech**®-plus, you have the perfect profiles for edges and transitions between floor coverings. The edges are therefore cleanly sealed and stumbling hazards are prevented. The **clipstech**® profiles are installed so that no screws are subsequently visible. The cover is simply clipped on.



### cabelino® baseboards

Baseboards are ideal for concealing retrospectively laid cables and lines. The **cabelino**® baseboards have been designed for precisely this purpose. The baseboards are TÜV-certified and comply with the latest safety regulations. The décors of the baseboards match those of the **clipstech**® range. **cabelino**® baseboards are also noteworthy from a technical perspective. Thanks to the lock or clamp gap, they can be infinitely adjusted by up to 10 mm so that the baseboard can simply be pressed down if the floor settles over the years.

# Tile edgings

## Index

Product names A-Z	Item number summary
Accessory set for edge joint cover profiles.....48	00550 Drainage mat.....54
Angle profile..... 16   17   18   19	00555 Isolation and impact sound insulating mat .....55
Angle profile, pliable.....20	00556 Isolation and sealing mat .....55
Balcony bracket.....54	00560 Perforated sealing strip.....55
<b>clipstech</b> cover strip .....52	00562 Professional sealing tape .....56
<b>clipstech</b> support profile.....52	00564 Wall sleeve .....57
Complete standard set .....43   44	00565 Internal angle.....57
Complete system set.....42	00566 External angle .....56
Corner bead.....59   60	00567 Sealing film.....54
Countersunk screw with plug .....53	00569 Sealing strip, one side self-adhesive .....56
Depth gauge beads.....60	00590 Balcony bracket .....54
Drainage mat.....54	00591 Balcony bracket .....54
Dry construction profile.....58	00592 Balcony bracket .....54
Edge joint cover profile .....47	00593 Balcony bracket .....54
Expansion joint profile.....46	00594 Balcony bracket .....54
Expansion joint profile for thick beds.....46	00595 Balcony bracket .....54
External angle .....56	00600 Angle profile .....16
Internal angle.....57	00601 Angle profile .....16
Isolation and impact sound insulating mat .....55	00602 Angle profile .....16
Isolation and sealing mat.....55	00603 Angle profile .....16
Joint cover profile .....45   46	00604 Angle profile .....16
Maxi wall C-profile .....58	00608 Angle profile .....16
Perforated sealing strip.....55	00609 Angle profile .....16
Plug system .....52	01600 Angle profile .....16
Professional sealing tape.....56	01601 Angle profile .....16
Quarter circle external corner .....26   27   28	01602 Angle profile .....16
Quarter circle internal corner .....29   30   31	01603 Angle profile .....16
Quarter circle profile .....21   22   23   24   25	01604 Angle profile .....16
Sealing film.....54	01608 Angle profile .....16
Sealing strip, one side self-adhesive .....56	01610 Angle profile .....16
Self-adhesive sealing rail set .....49	01611 Angle profile .....16
Square edging.....33   34	01612 Angle profile .....16
Square tile corner.....35   36	01613 Angle profile .....16
Standard profile for steps .....42   43	01614 Angle profile .....16
Step edging profile "Florentine".....40	01618 Angle profile .....16
Step edging profile "Real wood", type 1 .....41	02600 Angle profile .....16
Step edging profile "Real wood", type 2 .....41	02601 Angle profile .....16
Step edging profile "Simple".....39	02602 Angle profile .....16
Tile spacer.....37	02603 Angle profile .....16
Tile T.....38	02604 Angle profile .....16
Tile wedge.....37	02608 Angle profile .....16
U-profile for wall.....58	03600 Angle profile .....16
Wall connection profile with <b>alfer</b> -fix .....48	03601 Angle profile .....16
Wall covering corner bar.....59	03602 Angle profile .....16
Wall sleeve .....57	03603 Angle profile .....16
Wet sealing profile .....48	03604 Angle profile .....16
	03630 Angle profile .....17
	03631 Angle profile .....17
	03632 Angle profile .....17
	03633 Angle profile .....17
	03634 Angle profile .....17
	03640 Angle profile .....17
	03641 Angle profile .....17
	03642 Angle profile .....17
	03643 Angle profile .....17
	03644 Angle profile .....17
	20610 Angle profile .....17
	20611 Angle profile .....17
	20612 Angle profile .....17
	20613 Angle profile .....17
	20614 Angle profile .....17
	51125 Countersunk screw with plug .....53
	70060 Angle profile .....17
	70061 Angle profile .....17
	70062 Angle profile .....17
	70063 Angle profile .....17
	70064 Angle profile .....17
	70082 Angle profile .....18
	70083 Angle profile .....18
	70084 Angle profile .....18
	70085 Angle profile .....18
	70086 Angle profile .....18
	70092 Angle profile .....18
	70093 Angle profile .....18
	70094 Angle profile .....18
	70095 Angle profile .....18
	70096 Angle profile .....18
	70102 Angle profile .....19
	70103 Angle profile .....19
	70104 Angle profile .....19
	70105 Angle profile .....19
	70106 Angle profile .....19
	70112 Quarter circle profile.....23
	70113 Quarter circle profile.....23
	70114 Quarter circle profile.....23
	70115 Quarter circle profile.....23
	70122 Quarter circle profile.....23
	70123 Quarter circle profile.....23



# Tile edgings Index

## Item number summary

70124 Quarter circle profile.....	23	70353 Square edging.....	34
70125 Quarter circle profile.....	23	70354 Square edging.....	34
70132 Square edging.....	34	70355 Square edging.....	34
70133 Square edging.....	34	70415 Angle profile.....	19
70134 Square edging.....	34	70416 Angle profile.....	19
70135 Square edging.....	34	70417 Angle profile.....	19
70142 Square edging.....	34	70418 Angle profile.....	19
70143 Square edging.....	34	70464 Angle profile.....	19
70144 Square edging.....	34	70465 Angle profile.....	19
70145 Square edging.....	34	70466 Angle profile.....	19
70201 Angle profile.....	16	70467 Angle profile.....	19
70202 Angle profile.....	16	70485 Angle profile.....	19
70203 Angle profile.....	16	70486 Angle profile.....	19
70204 Angle profile.....	16	70487 Angle profile.....	19
70205 Angle profile.....	16	70488 Angle profile.....	19
70206 Angle profile.....	16	70492 Angle profile.....	19
70207 Angle profile.....	16	70493 Angle profile.....	19
70208 Angle profile.....	16	70494 Angle profile.....	19
70209 Angle profile.....	16	70495 Angle profile.....	19
70210 Angle profile.....	16	70601 Angle profile.....	19
70211 Angle profile.....	16	70602 Angle profile.....	19
70212 Angle profile.....	16	70603 Angle profile.....	19
70213 Angle profile.....	16	70604 Angle profile.....	19
70215 Angle profile.....	16	70615 Angle profile.....	19
70216 Angle profile.....	16	70616 Angle profile.....	19
70217 Angle profile.....	16	70617 Angle profile.....	19
70218 Angle profile.....	16	70618 Angle profile.....	19
70219 Angle profile.....	16	70664 Angle profile.....	19
70220 Angle profile.....	16	70665 Angle profile.....	19
70222 Angle profile.....	16	70666 Angle profile.....	19
70223 Angle profile.....	16	70667 Angle profile.....	19
70224 Angle profile.....	16	70685 Angle profile.....	19
70225 Angle profile.....	16	70686 Angle profile.....	19
70226 Angle profile.....	16	70687 Angle profile.....	19
70236 Angle profile.....	17	70688 Angle profile.....	19
70237 Angle profile.....	17	70692 Angle profile.....	19
70238 Angle profile.....	17	70693 Angle profile.....	19
70239 Angle profile.....	17	70694 Angle profile.....	19
70240 Angle profile.....	17	70695 Angle profile.....	19
70243 Angle profile.....	17	70845 Quarter circle profile.....	23
70244 Angle profile.....	17	70847 Quarter circle profile.....	23
70245 Angle profile.....	17	70848 Quarter circle profile.....	23
70246 Angle profile.....	17	71013 Quarter circle profile.....	23
70247 Angle profile.....	17	71015 Quarter circle profile.....	23
70260 Angle profile.....	17	71016 Quarter circle profile.....	23
70261 Angle profile.....	17	71300 Wet sealing profile.....	48
70262 Angle profile.....	17	71301 Wet sealing profile.....	48
70263 Angle profile.....	17	71319 Adhesive tape for wet sealing profiles.....	49
70264 Angle profile.....	17	71330 Self-adhesive sealing rail set.....	49
70270 Angle profile.....	16	71508 Quarter circle profile.....	23
70271 Angle profile.....	16	71548 Quarter circle profile.....	23
70272 Angle profile.....	16	72002 Quarter circle profile.....	24
70273 Angle profile.....	16	72003 Quarter circle profile.....	24
70274 Angle profile.....	16	72004 Quarter circle profile.....	24
70275 Angle profile.....	16	72005 Quarter circle profile.....	24
70282 Angle profile.....	18	72007 Quarter circle profile.....	24
70283 Angle profile.....	18	72008 Quarter circle profile.....	24
70284 Angle profile.....	18	72009 Quarter circle profile.....	24
70285 Angle profile.....	18	72010 Quarter circle profile.....	24
70286 Angle profile.....	18	72012 Quarter circle profile.....	24
70292 Angle profile.....	17	72013 Quarter circle profile.....	24
70293 Angle profile.....	17	72014 Quarter circle profile.....	24
70294 Angle profile.....	17	72015 Quarter circle profile.....	24
70295 Angle profile.....	17	72017 Quarter circle profile.....	24
70296 Angle profile.....	17	72018 Quarter circle profile.....	24
70302 Angle profile.....	18	72019 Quarter circle profile.....	24
70303 Angle profile.....	18	72020 Quarter circle profile.....	24
70304 Angle profile.....	18	72022 Quarter circle profile.....	24
70305 Angle profile.....	18	72023 Quarter circle profile.....	24
70306 Angle profile.....	18	72024 Quarter circle profile.....	24
70312 Angle profile.....	19	72025 Quarter circle profile.....	24
70313 Angle profile.....	19	72027 Quarter circle profile.....	24
70314 Angle profile.....	19	72028 Quarter circle profile.....	24
70315 Angle profile.....	19	72029 Quarter circle profile.....	24
70316 Angle profile.....	19	72030 Quarter circle profile.....	24
70322 Quarter circle profile.....	23	72032 Quarter circle profile.....	24
70323 Quarter circle profile.....	23	72033 Quarter circle profile.....	24
70324 Quarter circle profile.....	23	72034 Quarter circle profile.....	24
70325 Quarter circle profile.....	23	72035 Quarter circle profile.....	24
70332 Quarter circle profile.....	23	72037 Quarter circle profile.....	24
70333 Quarter circle profile.....	23	72038 Quarter circle profile.....	24
70334 Quarter circle profile.....	23	72039 Quarter circle profile.....	24
70335 Quarter circle profile.....	23	72040 Quarter circle profile.....	24
70342 Square edging.....	34	72042 Quarter circle profile.....	24
70343 Square edging.....	34	72043 Quarter circle profile.....	24
70344 Square edging.....	34	72044 Quarter circle profile.....	24
70345 Square edging.....	34	72045 Quarter circle profile.....	24
70352 Square edging.....	34	72047 Quarter circle profile.....	24



# Tile edgings Index

## Item number summary

72518	Joint cover profile	45	72902	Accessory set for edge joint cover profiles	48
72522	Joint cover profile	45	72903	Accessory set for edge joint cover profiles	48
72523	Joint cover profile	45	72906	Accessory set for edge joint cover profiles	48
72527	Joint cover profile	45	72907	Accessory set for edge joint cover profiles	48
72528	Joint cover profile	45	72908	Accessory set for edge joint cover profiles	48
72532	Joint cover profile	46	72909	Accessory set for edge joint cover profiles	48
72533	Joint cover profile	46	73002	Square edging	33
72537	Joint cover profile	46	73003	Square edging	33
72538	Joint cover profile	46	73004	Square edging	33
72543	Step edging profile "Simple"	39	73005	Square edging	33
72544	Step edging profile "Simple"	39	73007	Square edging	33
72545	Step edging profile "Simple"	39	73008	Square edging	33
72548	Step edging profile "Simple"	39	73009	Square edging	33
72549	Step edging profile "Simple"	39	73010	Square edging	33
72550	Step edging profile "Simple"	39	73022	Square edging	33
72553	Step edging profile "Simple"	39	73023	Square edging	33
72554	Step edging profile "Simple"	39	73024	Square edging	33
72555	Step edging profile "Simple"	39	73025	Square edging	33
72558	Step edging profile "Simple"	39	73027	Square edging	33
72559	Step edging profile "Simple"	39	73028	Square edging	33
72560	Step edging profile "Simple"	39	73029	Square edging	33
72563	Step edging profile "Simple"	39	73030	Square edging	33
72564	Step edging profile "Simple"	39	73032	Square edging	33
72565	Step edging profile "Simple"	39	73033	Square edging	33
72568	Step edging profile "Simple"	39	73034	Square edging	33
72569	Step edging profile "Simple"	39	73035	Square edging	33
72570	Step edging profile "Simple"	39	73037	Square edging	33
72573	Step edging profile "Florentine"	40	73038	Square edging	33
72574	Step edging profile "Florentine"	40	73039	Square edging	33
72575	Step edging profile "Florentine"	40	73040	Square edging	33
72578	Step edging profile "Florentine"	40	73042	Square edging	33
72579	Step edging profile "Florentine"	40	73043	Square edging	33
72580	Step edging profile "Florentine"	40	73044	Square edging	33
72583	Step edging profile "Florentine"	40	73045	Square edging	33
72584	Step edging profile "Florentine"	40	73047	Square edging	33
72585	Step edging profile "Florentine"	40	73048	Square edging	33
72588	Step edging profile "Florentine"	40	73049	Square edging	33
72589	Step edging profile "Florentine"	40	73050	Square edging	33
72590	Step edging profile "Florentine"	40	73052	Square edging	33
72593	Step edging profile "Florentine"	40	73053	Square edging	33
72594	Step edging profile "Florentine"	40	73054	Square edging	33
72595	Step edging profile "Florentine"	40	73055	Square edging	33
72598	Step edging profile "Florentine"	40	73057	Square edging	33
72599	Step edging profile "Florentine"	40	73058	Square edging	33
72600	Step edging profile "Florentine"	40	73059	Square edging	33
72612	Joint cover profile	45	73060	Square edging	33
72613	Joint cover profile	45	73102	Square edging	34
72617	Joint cover profile	45	73103	Square edging	34
72618	Joint cover profile	45	73104	Square edging	34
72622	Joint cover profile	45	73105	Square edging	34
72623	Joint cover profile	45	73107	Square edging	34
72627	Joint cover profile	45	73108	Square edging	34
72628	Joint cover profile	45	73109	Square edging	34
72632	Joint cover profile	45	73110	Square edging	34
72633	Joint cover profile	45	76699	Expansion joint profile for thick beds	46
72637	Joint cover profile	45	76702	Expansion joint profile	46
72638	Joint cover profile	45	76704	Expansion joint profile	46
72713	Step edging profile "Simple"	39	76712	Expansion joint profile	46
72714	Step edging profile "Simple"	39	76714	Expansion joint profile	46
72715	Step edging profile "Simple"	39	76722	Expansion joint profile	46
72718	Step edging profile "Simple"	39	76724	Expansion joint profile	46
72719	Step edging profile "Simple"	39	76732	Expansion joint profile	46
72720	Step edging profile "Simple"	39	76734	Expansion joint profile	46
72723	Step edging profile "Florentine"	40	76902	Expansion joint profile	46
72724	Step edging profile "Florentine"	40	76904	Expansion joint profile	46
72725	Step edging profile "Florentine"	40	76912	Expansion joint profile	46
72728	Step edging profile "Florentine"	40	76914	Expansion joint profile	46
72729	Step edging profile "Florentine"	40	76922	Expansion joint profile	46
72730	Step edging profile "Florentine"	40	76924	Expansion joint profile	46
72801	Edge joint cover profile	47	76932	Expansion joint profile	46
72805	Edge joint cover profile	47	76934	Expansion joint profile	46
72806	Edge joint cover profile	47	77110	Standard profile for steps	42
72807	Edge joint cover profile	47	77111	Standard profile for steps	42
72811	Edge joint cover profile	47	77112	Standard profile for steps	42
72815	Edge joint cover profile	47	77120	Standard profile for steps	43
72816	Edge joint cover profile	47	77130	Standard profile for steps	43
72817	Edge joint cover profile	47	77131	Standard profile for steps	43
72821	Edge joint cover profile	47	77132	Standard profile for steps	43
72825	Edge joint cover profile	47	77511	Standard profile for steps	42
72826	Edge joint cover profile	47	77512	Standard profile for steps	42
72827	Edge joint cover profile	47	77700	Complete standard set	43
72831	Edge joint cover profile	47	77701	Complete standard set	44
72835	Edge joint cover profile	47	77702	Complete standard set	44
72836	Edge joint cover profile	47	77710	Complete system set	42
72837	Edge joint cover profile	47	77719	Complete system set	42
72850	Wall connection profile with <b>alfer</b> -fix	48	77750	Complete system set	42
72900	Accessory set for edge joint cover profiles	48	77759	Complete system set	42
72901	Accessory set for edge joint cover profiles	48	77790	Step edging profile "Real wood", type 1	41



# Tile edgings Index

## Item number summary

78402 Quarter circle internal corner .....	30	79941 Depth gauge beads.....	60
78403 Quarter circle internal corner .....	30	79944 Depth gauge beads.....	60
78405 Quarter circle external corner .....	27	79945 Depth gauge beads.....	60
78406 Quarter circle external corner .....	27	79960 Corner bead.....	59
78407 Quarter circle external corner .....	27	79962 U-profile for wall.....	58
78408 Quarter circle external corner .....	27	79963 U-profile for wall.....	58
78410 Quarter circle internal corner .....	31	79964 Maxi wall C-profile .....	58
78411 Quarter circle internal corner .....	31	79965 Maxi wall C-profile .....	58
78412 Quarter circle internal corner .....	31	79966 Dry construction profile.....	58
78413 Quarter circle internal corner .....	31	79981 Wall covering corner bar.....	59
78415 Quarter circle external corner .....	28	88000 <b>clipstech</b> support profile.....	52
78416 Quarter circle external corner .....	28	88001 <b>clipstech</b> support profile.....	52
78417 Quarter circle external corner .....	28	88002 <b>clipstech</b> support profile.....	52
78418 Quarter circle external corner .....	28	88003 <b>clipstech</b> support profile.....	52
78420 Square tile corner.....	36	88004 <b>clipstech</b> support profile.....	52
78421 Square tile corner.....	36	88010 <b>clipstech</b> cover strip .....	52
78422 Square tile corner.....	36	88011 <b>clipstech</b> cover strip .....	52
78423 Square tile corner.....	36	88012 <b>clipstech</b> cover strip .....	52
78425 Square tile corner.....	36	88019 <b>clipstech</b> cover strip .....	52
78426 Square tile corner.....	36	88209 Plug system.....	52
78427 Square tile corner.....	36	88400 <b>clipstech</b> support profile.....	52
78428 Square tile corner.....	36	88401 <b>clipstech</b> support profile.....	52
78980 Tile wedge.....	37	88402 <b>clipstech</b> support profile.....	52
78981 Tile spacer.....	37	88403 <b>clipstech</b> support profile.....	52
78982 Tile spacer.....	37	88404 <b>clipstech</b> support profile.....	52
78983 Tile spacer.....	37	88410 <b>clipstech</b> cover strip .....	52
78984 Tile spacer.....	37	88411 <b>clipstech</b> cover strip .....	52
78987 Tile T.....	38	88412 <b>clipstech</b> cover strip .....	52
78988 Tile T.....	38	88419 <b>clipstech</b> cover strip .....	52
79920 Corner bead.....	60	89010 <b>clipstech</b> cover strip .....	52
79940 Corner bead.....	60		

Tile edgings | 197042 | 01 2017 | 171708



# Tile edgings Index

## Terms and Conditions of Supply and Payment

### 1. Scope

1.1. These Terms and Conditions of Supply and Payment for Exports apply to all contractual agreements between ourselves and parties placing orders with us which have their registered offices or the branch involved with the contractual agreement outside the territory of the Federal Republic of Germany. That branch which concludes the contractual agreement in its own name shall respectively apply.  
1.2. These Terms and Conditions of Supply and Payment for Exports shall not apply if the party placing the order acquires the goods for personal use or use in a family or household and we knew or should have known such upon the conclusion of the agreement.  
1.3. If the party placing the order's terms and conditions of purchase differ from these Terms and Conditions of Supply and Payment for Exports, such terms and conditions of purchase shall only apply if such are expressly confirmed in writing by ourselves. Counter-confirmations by a party placing an order citing its own terms and conditions are herewith expressly contested and rejected.  
1.4. Our Terms and Conditions of Supply and Payment shall also apply exclusively and without restriction even if we effect supply to the party placing the order without reservation in awareness of contrary or differing terms and conditions of the party placing the order.

### 2. Conclusion and subject of the agreement

2.1. Any and all of our offers are non-binding.  
2.2. Models, illustrations, drawings, colour tones, etc., that are contained in catalogues, brochures and other printed matter may differ slightly from the features of the products to be supplied as a result of printing technology; such differences shall not be deemed to constitute defects.  
2.3. Illustrations and drawings relating to our goods in brochures, written advertising material and on price lists as well as the data contained therein, e.g. on material, dimensions or shape, shall only become a legally binding part of the agreement if the agreement expressly makes reference to such. Information on product features shall not be deemed to constitute an assumption of guarantee.  
2.4. The party placing an order shall notify us prior to the conclusion of the agreement if the goods to be supplied are supposed to be suited solely for regular use or are to be used under unusual or special conditions or if the goods are to be used in any conditions posing a health, safety or environmental risk or the goods will be subject to increased demands or if use of the goods could be associated with unusual possibilities for damage or unusual amounts of damage which the party placing the order is aware of or should be aware of.

### 3. Custom-made products

3.1. Custom-made products shall be deemed to designate all models that deviate from the models referenced in the respectively valid catalogue or brochure. This especially applies with regard to colours.  
3.2. Orders for custom-made products without exception require written confirmation by both parties in the information on the design, dimensions, etc.  
3.3. The party placing the order shall not acquire any rights to tools by virtue of paying remuneration for costs or shares of costs for the creation or acquisition of tools; we shall retain title to tools.  
3.4. Requested samples shall only be supplied subject to charge.  
3.5. We shall not be liable for defects that emanate from documents submitted to us by the party placing the order with respect to custom-made products.  
3.6. If the custom-made product is manufactured based on drawings, models or other information provided by the party placing the order, we shall not be liable for the violation of third-party protective rights. The party placing the order herewith indemnifies us with respect to claims by third parties.

### 4. Minimum order value and prices

4.1. The minimum order value for initial orders is EUR 150.00 plus taxes and customs duties. The minimum order value for all subsequent orders is EUR 25.00 plus taxes and customs duties.  
4.2. Prices do not include possible additional charges such as duties, taxes and other levies and, if nothing to the contrary results from the confirmation of contract and number 5.1 below, apply EXW (Incoterm 2010) from our plant in Wutöschingen not including freight and packaging costs.

### 5. Freight and packaging costs

5.1. By way of deviation from EXW (Incoterms 2010), consignments having an order value of at least EUR 250.00 not including taxes and customs duties shall be shipped free domicile in Germany and franco frontier to foreign countries.  
5.2. The weights and piece numbers determined upon shipment shall apply in the calculation of freight costs.  
5.3. Packaging costs shall be charged at the usual rates in this line of business.

### 6. Delivery and transfer of risk

6.1. EXW (Incoterms 2010) from our plant in Wutöschingen shall apply to delivery and transfer of risk even if we assume the freight costs unless a special delivery clause has been agreed upon.  
6.2. If the goods are transported to the party placing the order, such shall be at the risk of the party placing the order. In this case risk shall be transferred to the party placing the order at that point in time at which the first carrier takes on the goods. If the goods are ready for shipment and shipment is delayed for reasons for which we are not responsible, risk shall be transferred to the party placing the order upon receipt of the notice of readiness for shipment.

### 7. Delivery periods, non-availability of performance and delay

7.1. The delivery periods stated are generally non-binding.  
7.2. A bindingly committed delivery period shall commence upon the date on which our confirmation of order is sent, but at the earliest at the point in time at which all

documents and data to be provided by the party placing the order are received by us.  
7.3. The delivery period shall be deemed to have been adhered to if the goods leave the plant before the delivery period expires or notification has been provided that the goods are ready for shipment.

7.4. If we are unable to meet binding delivery periods in whole or regarding part of the goods to be delivered, we shall notify the party placing the order without undue delay and at the same time notify the party placing the order about the probable new delivery period. If the good to be delivered is still not available before the expiry of the new delivery period for reasons for which we are not responsible, we shall be entitled to cancel the agreement in whole or in part; we shall repay any counter-performance already rendered by the party placing the order without undue delay.

7.5. In any case a claim to compensation for late delivery on the part of the party placing the order shall be subject to the requirement that the party placing the order has set us a reasonable grace period and we have not effected delivery within this period.

7.5. The legal rights of the party placing the order shall otherwise remain unaffected. We shall only bear liability, however, if we are responsible for the delay and only within the framework of no. 11 below. We shall in particular not be responsible for delivery not being effected to us in due time by our suppliers.

### 8. Terms and conditions of payment

8.1. The party placing the order shall review all invoices without undue delay after receiving such to make sure that they are correct and complete. Any objections to invoices shall be issued in writing within a period of one month after their receipt. Failure to state objections in due time shall be deemed to constitute approval of the invoice.

8.2. Our invoices shall be due for payment within 10 days with a 2% discount or within 30 days of the respective invoice date net. The date when payment is credited to the account stated

for payment on the invoice shall apply in determining whether payment has been effected in due time by the party placing the order. The party placing the order shall bear all additional costs that arise in connection with the selection of the means of payment.

8.3. If the party placing the order fails to pay the purchase price in due time, we shall be entitled notwithstanding other legal recourse to charge interest on arrears in the amount of 9 percentage points above the respective base interest rate of the European Central Bank. We reserve the right to claim damage going above and beyond this.

8.4. We shall be entitled to transfer our claims emanating from the business relationship with the party placing the order for the purposes of factoring.

8.5. If payment is rendered with a bill of exchange, the party placing the order shall bear the costs of such, in particular discounting and collection charges. No discount shall be granted if payment is effected by bill of exchange.

8.6. Costs of a bill of exchange that has been invoiced shall be due for payment immediately without any deductions.

8.7. Bills of acceptance and bills of exchange shall only be deemed to constitute payment after their redemption.

8.8. Setting off or netting amounts shall only be possible in the case of counter-claims that are based on the same legal relationship, that have been effectively established by a court of law or government authority, or are uncontested or recognised.  
8.9. The party placing the order shall only be entitled to exercise a right of retention if its counter-claim is based on the same legal relationship.

8.10. We shall be entitled to credit payments effected by the party placing the order to our debt of said party.

### 9. Examination and notification of non-conformity obligation

9.1. The party placing the order shall properly examine the goods or have the goods properly examined without undue delay.

9.2. Shipping papers may not be signed (including subject to reservation) before the number of boxes delivered has been compared with the information contained in the shipping papers. Boxes that are missing or damaged must be noted with precise information on such being provided on the shipping papers and be confirmed by the freight carrier driver by means of a clearly identifiable signature.

9.3. Our liability for the goods violating the agreement shall cease to apply without the party placing the order for this reason being able to exonerate itself if the party placing the order fails to notify us about such violation of the agreement in writing within a period of 7 working days (Saturdays shall not be deemed to constitute working days) after it determines such or should have determined such while precisely stating the type of violation of agreement. Written notification of lack of conformity by the party placing the order must have been sent by the party placing the order within the aforementioned period; above and beyond the notice of lack of conformity being sent in due time, such must also actually be received by us.

9.4. If after a notice of lack of conformity is issued by the party placing the order no violation of the agreement can be identified, the party placing the order shall reimburse us for the costs incurred in connection with the inspection of the goods.  
9.5. The party placing the order shall at any rate lose the right to claim lack of conformity of the goods if it does not provide notice of such within a period of no more than 12 months after it has actually been handed over the goods unless we have granted a longer period of guarantee to the party placing the order.

### 10. Goods lacking conformity or exhibiting legal defects

10.1. Goods for which a complaint has been issued shall be properly stored and kept available to us.

10.2. We shall be provided the opportunity to inspect the goods for which a complaint has been issued.

10.3. If it is demonstrated that the goods lack conformity, we shall be entitled even

after the agreed-upon delivery period either to remedy the lack of conformity of the goods by repair or supply a substitute contemporaneously with return of the goods for which a complaint has been issued as we see fit. In the event of remedy by repair or supply of substitute goods, we shall be obligated to bear all of the expenses that are required for this purpose (including transport, road, labour and material costs) if such expenses do not increase because the goods have been sent to a place other than the place of fulfilment of the agreement.

10.4. If the party placing the order sets a reasonable grace period for remedy by repair or supply of substitute goods and repair or supply of substitute goods does not take place within this grace period or if such is refused by us, the party placing the order shall be entitled to reduce the purchase price or declare the agreement avoided in accordance with statutory arrangements. The reduction of the purchase price shall be limited to the damage incurred by the customer.

10.5. Supply of substitute goods or remedy by repair shall not cause the period laid down in no. 9.5 to recommence anew.

### 11. Liability

11.1. We shall bear unlimited liability for harm to life and limb or health impairment that is due to the willful or negligent violation of an obligation by ourselves or that is due to a willful or negligent violation of an obligation by our legal representative or parties we hire to carry out the agreement.

11.2. We shall bear liability based on the principles of German law governing product liability and on the assumption of a guarantee.

11.3. We shall moreover only bear liability in the case of willful or negligent violation of an essential contractual obligation and only for direct damage that was foreseeable and which typically occurs at the point in time when the agreement was concluded. An essential contractual obligation shall be deemed to be an obligation that makes the proper fulfilment of the agreement concluded with the party placing the order possible in the first place and which the party placing the order trusted in and was able to trust in and the culpable failure to fulfil such jeopardises achievement of the purpose of the agreement.

11.4. Our liability is excluded in all other cases, in particular for indirect damage and subsequent damage (including foregone profit, loss of goodwill, damage due to loss of production and comparable expenses) unless the party placing the order expressly drew our attention to such in accordance with no. 2.4. prior to the conclusion of the agreement.

11.5. If our liability is excluded or limited, this shall also apply to our employees, representatives and parties we hire to carry out the agreement.

### 12. Reservation of title

12.1. We reserve title to the goods supplied by us if our claim to the purchase price is not secured by some other means (e.g. a letter of credit) until payment of all current and future claims emanating from the purchase agreement and the ongoing business relationship (the claims to be secured) is effected.

12.2. We shall be obligated to release collateral that we are entitled to as we see fit to the extent that the realisable value of the collateral exceeds our claims to be secured by more than 10% if so requested by the party placing the order.

12.2. The party placing the order shall notify us without undue delay in the event of attachment, confiscation or similar and in the event of the goods supplied being damaged and/or lost; any violation of this obligation as well as any other conduct of the buyer in violation of the agreement, in particular failure to pay the purchase price due for payment, shall provide us the right to declare this agreement avoided. The party placing the order shall bear all the costs that have had to be incurred particularly within the framework of a third-party action successfully lifting an attachment and that may have had to be incurred to successfully reacquire the objects supplied if such cannot be collected from third parties.

12.3.

If we have effectively declared the agreement avoided, we shall be entitled to take back the goods subject to reservation of title if we have threatened to take the goods back a reasonable time in advance. The costs incurred as a result of exercise of the right to take back the goods, in particular transport costs, shall be borne by the party placing the order. We shall be entitled to exploit the goods subject to reservation of title and satisfy our claims from the proceeds from such exploitation if we have threatened such exploitation a reasonable time in advance. If the proceeds exceed the unsatisfied claims emanating from the contractual relationship, this surplus amount shall be handed over to the party placing the order.

### 13. Place of fulfilment, applicable law and legal venue

13.1. The place of fulfilment for delivery and payment shall be our head office (Wutöschingen).

13.2. The Convention of the United Nations on the International Sale of Goods from 11 April 1980 (UN purchasing law/CISG) in the English-language version shall apply to the legal relationship with the party placing the order. Legal issues that are not set out in this Convention or which cannot be decided in accordance with its principles shall be subject to German law.

13.3. The sole legal venue for all disputes arising in connection with the agreement is the courts having jurisdiction over our head office of the company in Wutöschingen. We shall, however, also be entitled to assert claims with courts having jurisdiction over the party placing the order.

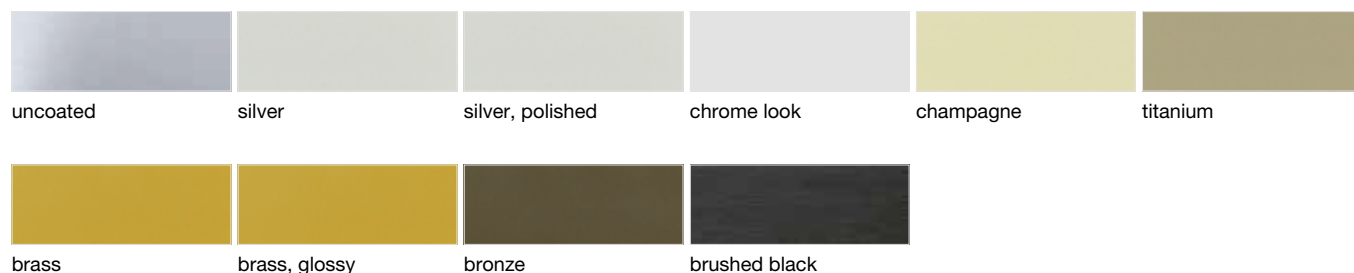
alfer aluminium Gesellschaft mbH

Commercial Register of Freiburg Local Court HRB 620 227 Status: 08/2014

## Tile edgings

Available in a choice of colours

### Uncoated and anodized aluminium



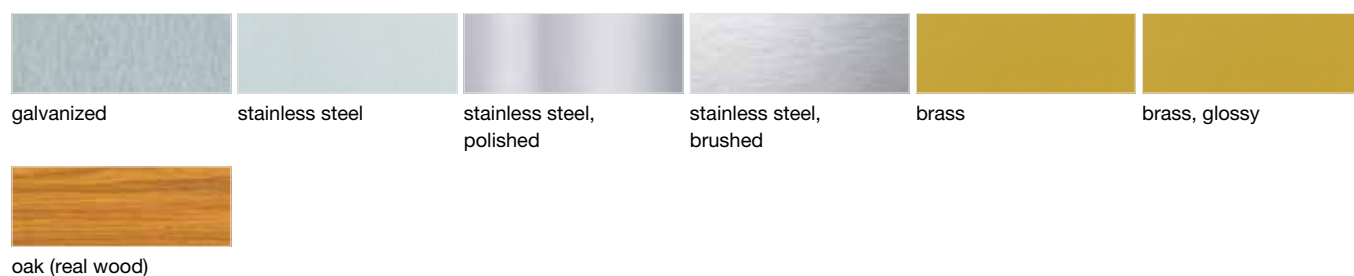
### Powder-coated aluminium



### Plastic



### Steel, stainless steel, brass and real wood



The colours shown are for reference purposes only and may differ from the actual colours for display reasons.



EN 71708 | 0117

